



2021 - 2022

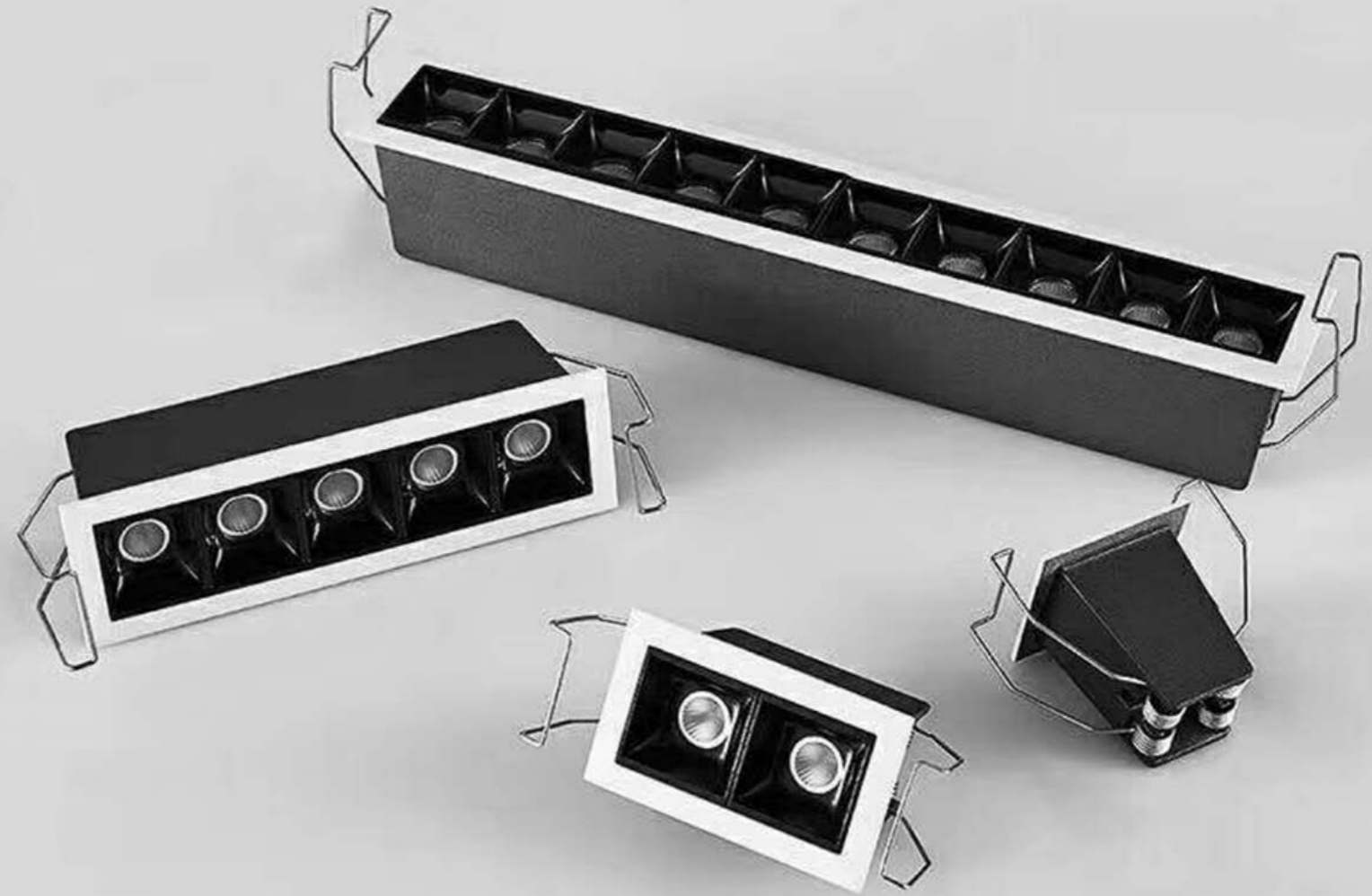
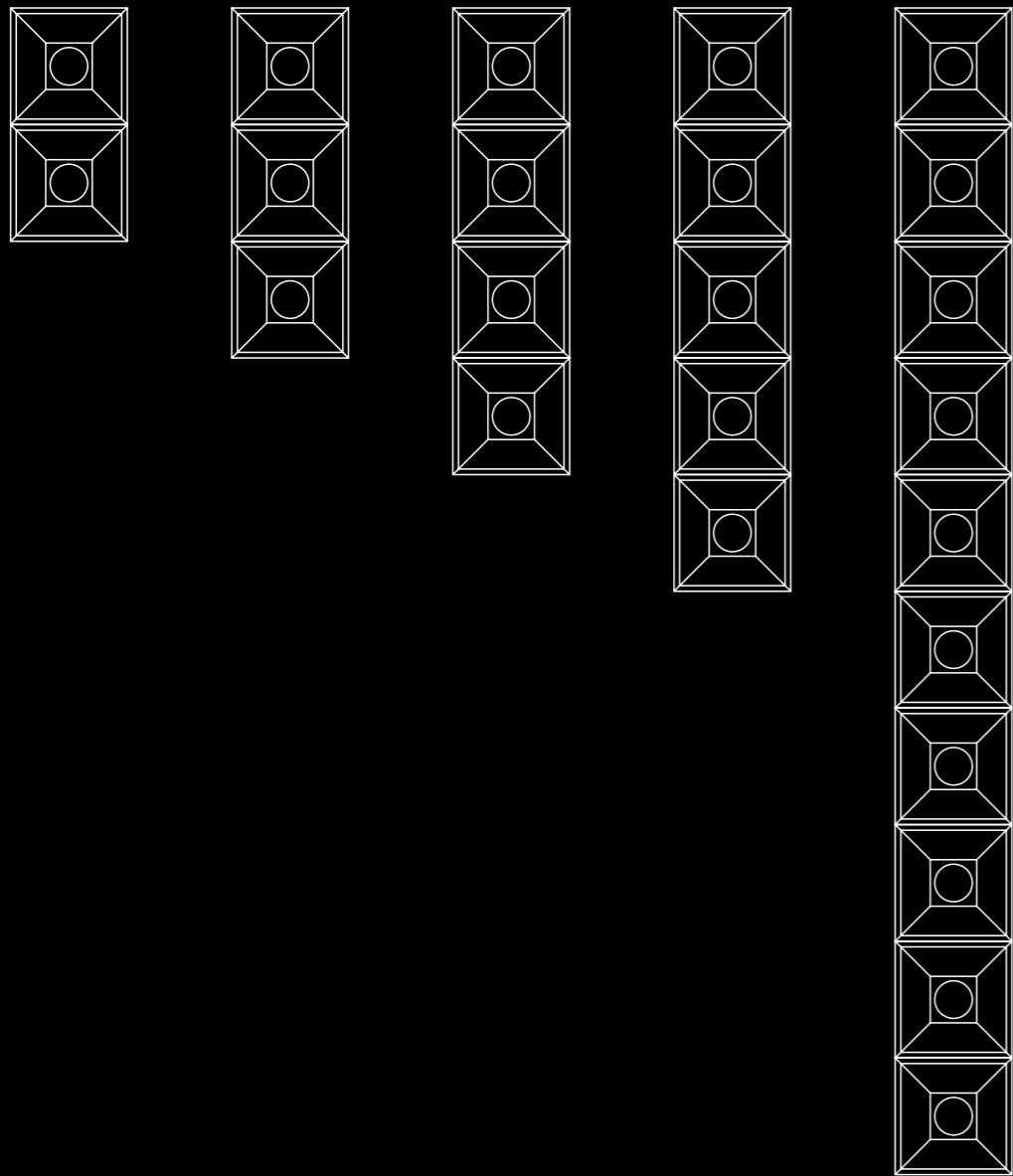
Uniq Lighting Limited

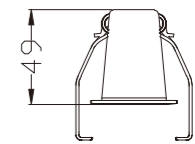
7th Floor, Xiu Ping Commercial Building, 104 Jervois Street, Sheung Wan, Hong Kong

project@uniq.com.hk

Light

Linear grille lamp

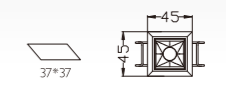




EMDS-2W



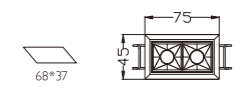
1 LED | 2W



EMDS-4W



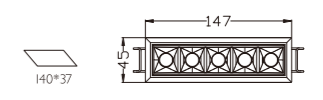
2 LED | 4W



EMDS-10W



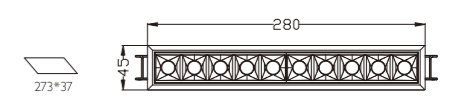
5 LED | 10W



EMDS-20W



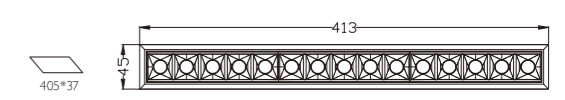
10 LED | 20W



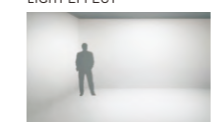
EMDS-30W



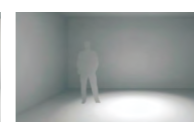
15 LED | 30W



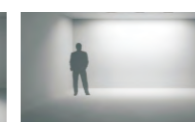
LIGHT EFFECT



General Lighting

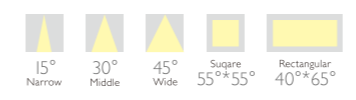


Accent Lighting

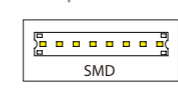


Wall washing Lighting

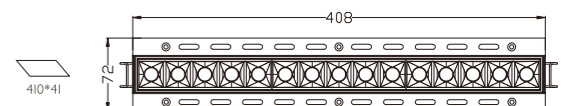
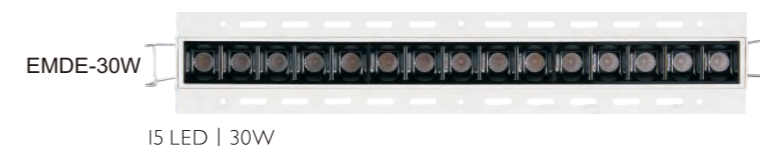
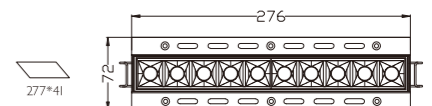
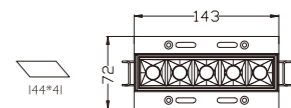
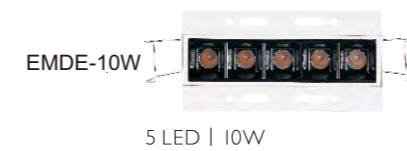
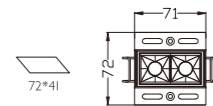
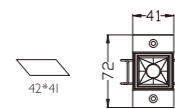
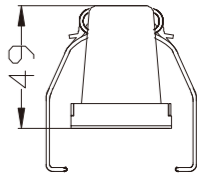
Beam



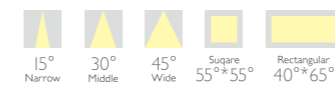
Chip



OSRAM CREE
2700K / 3000K / 3500K / 4000K / 5000K



Beam



Chip



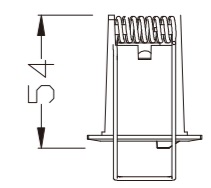
OSRAM CREE

2700K / 3000K / 3500K / 4000K / 5000K



Looking for the meaning of life

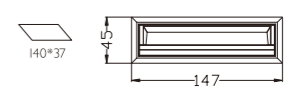




EMDW-10W



5 LED | 10W



EMDW-20W



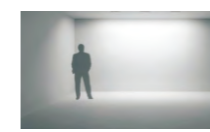
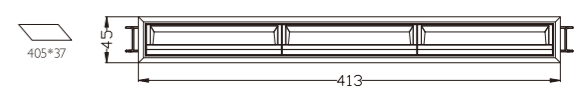
10 LED | 20W



EMDW-30W



15 LED | 30W



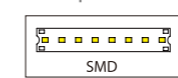
Wall washing Lighting

Benm



Wallwasher

Chip



OSRAM CREE

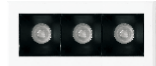
2700K / 3000K / 3500K / 4000K / 5000K



2 LED | 3W



2 LED | 3W



3 LED | 5W



3 LED | 5W



4 LED | 7W



4 LED | 8W



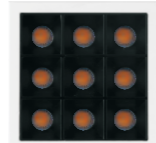
6 LED | 10W



6 LED | 10W



9 LED | 12W



9 LED | 12W

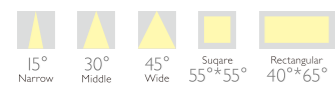


12 LED | 20W

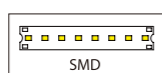


12 LED | 20W

Beam

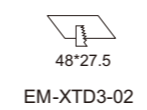
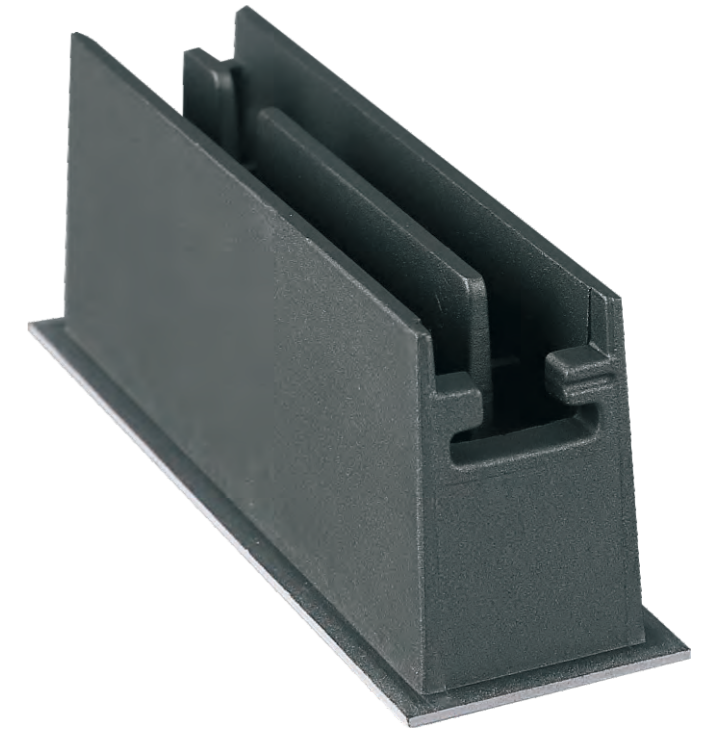


Chip

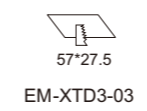


OSRAM CREE

2700K / 3000K / 3500K / 4000K / 5000K



EM-XTD3-02



EM-XTD3-03



EM-XTD3-04



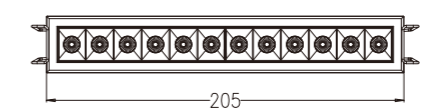
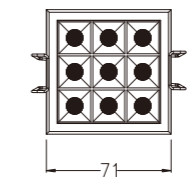
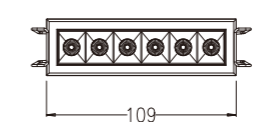
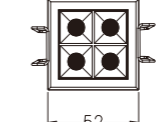
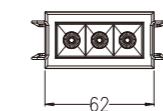
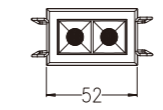
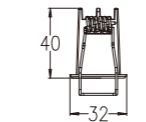
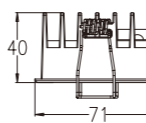
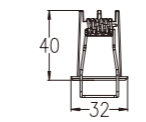
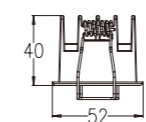
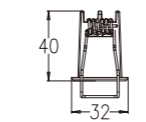
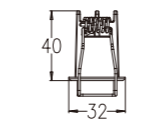
EM-XTD3-05



EM-XTD3-09



EM-XTD3-12





Follow nature

PI LIGHTING
Professional lighting design



No main lamp lighting
space with distinct
atmosphere

Lighting art

Vision
Individual aesthetics
Environment
Wholeness

Good lighting is considerate.

With the concept of “Human Centric Lighting”, we have developed the V.I.E.W. Lighting Field Design Rule by combining the lighting design with the spatial characteristics and human behavior and psychological feelings.

V.I.E.W. Lighting Field Design Rules are based on the four dimensions of vision, individual aesthetics, environment, and wholeness, and design lighting according to the behavioral scenes of different spaces, so that people in the space have a pleasure lighting experience.

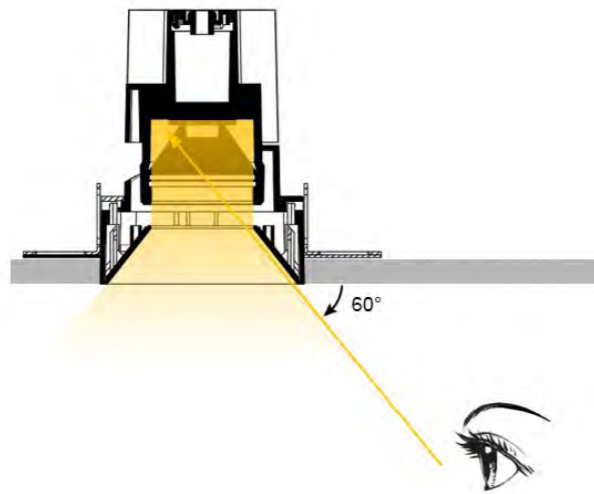


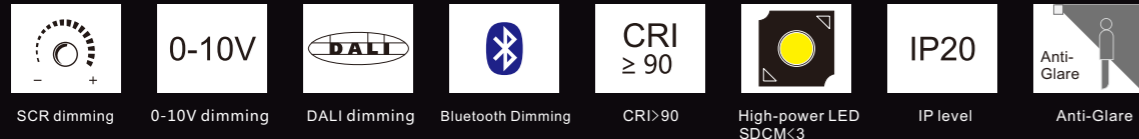
The thinking under the linear transmission
is the distance between objects, while
the thinking on the curve fluctuation
is the endless pursuit of design.



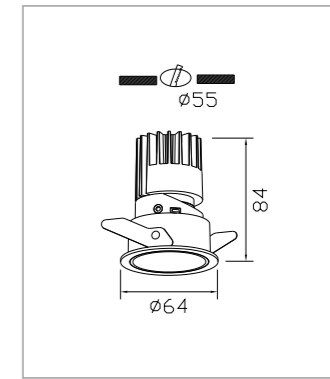
Dark Light

DB series of dark light technology to CIE
International Commission on illumination CIE
Pub.117 is the standard, UGR is lower than 19,
the lowest is only 10.4.
DB series of dark reflectors can minimize
reflection
Light remains on the reflector, thus reducing the
brightness on the reflector, controlling
Glare greatly improves the visual comfort of the
space.





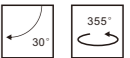
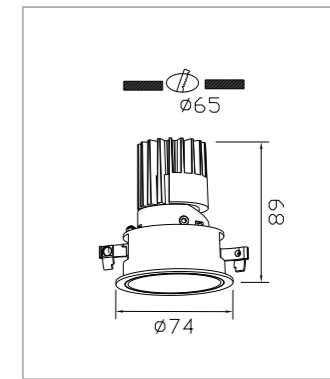
EM-DB001



PHILIPS LUMINUS CITIZEN CREE bridgelux.
2700K / 3000K / 3500K / 4000K / 5000K

Power	Vf	Current	Lumens	Beam Angle	Voltage	IP	Installation
COB 8W	36V	200mA	440lm	15°	AC 220V	44	Embedded
COB 8W	36V	200mA	480lm	24°	AC 220V	44	Embedded
COB 8W	36V	200mA	560lm	36°	AC 220V	44	Embedded
COB 8W	36V	200mA	580lm	60°	AC 220V	44	Embedded

EM-DB002

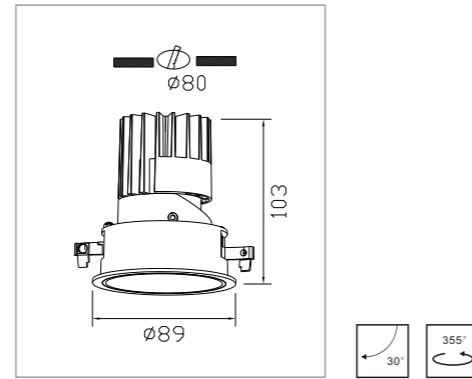


PHILIPS LUMINUS CITIZEN CREE bridgelux.
2700K / 3000K / 3500K / 4000K / 5000K

Power	Vf	Current	Lumens	Beam Angle	Voltage	IP	Installation
COB 8W	36V	200mA	440lm	15°	AC 220V	44	Embedded
COB 8W	36V	200mA	480lm	24°	AC 220V	44	Embedded
COB 8W	36V	200mA	560lm	36°	AC 220V	44	Embedded
COB 8W	36V	200mA	580lm	60°	AC 220V	44	Embedded



EM-DB003



Reflector

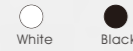
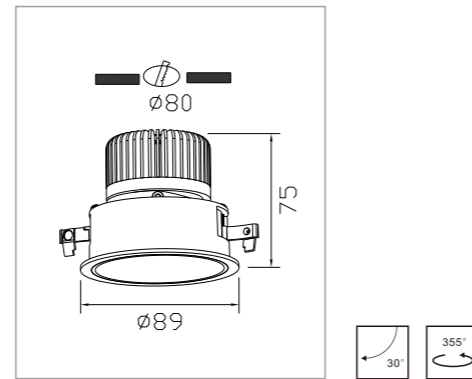


2700K / 3000K / 3500K / 4000K / 5000K

Power	Vf	Current	Lumens	Beam Angle	Voltage	IP	Installation
COB 12W	36V	300mA	1056lm	15°	AC 220V	44	Embedded
COB 12W	36V	300mA	1080lm	24°	AC 220V	44	Embedded
COB 12W	36V	300mA	1140lm	36°	AC 220V	44	Embedded
COB 12W	36V	300mA	1160lm	60°	AC 220V	44	Embedded



EM-DB003-1



Reflector



2700K / 3000K / 3500K / 4000K / 5000K

Power	Vf	Current	Lumens	Beam Angle	Voltage	IP	Installation
COB 12W	36V	300mA	1056lm	15°	AC 220V	20	Embedded
COB 12W	36V	300mA	1080lm	24°	AC 220V	20	Embedded
COB 12W	36V	300mA	1140lm	36°	AC 220V	20	Embedded
COB 12W	36V	300mA	1160lm	60°	AC 220V	20	Embedded



Install the snap off



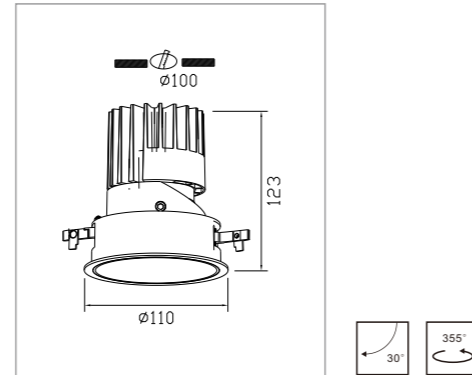
Install the snap



Anti glare cellular network



EM-DB004



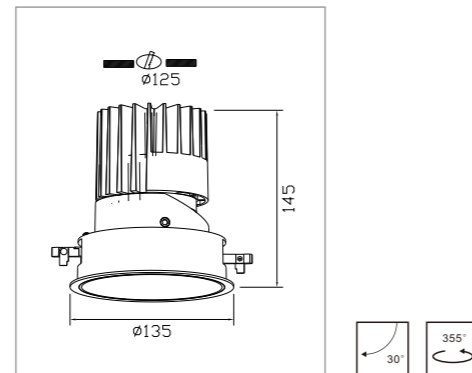
Reflector



Power	Vf	Current	Lumens	Beam Angle	Voltage	IP	Installation
COB 25W	36V	600mA	2150lm	15°	AC 220V	44	Embedded
COB 25W	36V	600mA	2250lm	24°	AC 220V	44	Embedded
COB 25W	36V	600mA	2375lm	36°	AC 220V	44	Embedded
COB 25W	36V	600mA	2380lm	60°	AC 220V	44	Embedded



EM-DB005




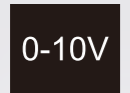


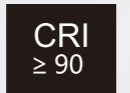

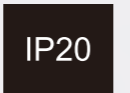

Reflector



Power	Vf	Current	Lumens	Beam Angle	Voltage	IP	Installation
COB 35W	36V	800mA	2950lm	15°	AC 220V	44	Embedded
COB 35W	36V	800mA	3150lm	24°	AC 220V	44	Embedded
COB 35W	36V	800mA	3300lm	36°	AC 220V	44	Embedded
COB 35W	36V	800mA	3320lm	60°	AC 220V	44	Embedded

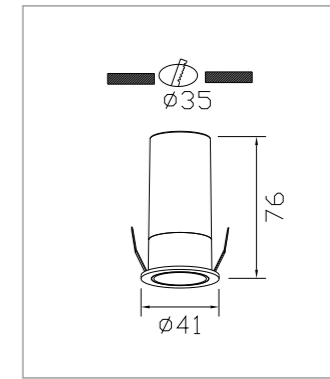




-  SCR dimming
-  0-10V dimming
-  DALI dimming
-  Bluetooth Dimming
-  CRI >= 90
-  High-power LED SDCM < 3
-  IP20
-  Anti-Glare



EM-DB001M

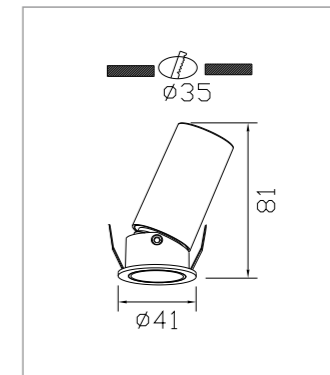


PHILIPS CITIZEN CREE
2700K / 3000K / 3500K / 4000K / 5000K

Power	Vf	Current	Lumens	Beam Angle	Voltage	IP	Installation
COB 8W	36V	200mA	400lm	8°	AC 220V	20	Embedded
COB 8W	36V	200mA	440lm	15°	AC 220V	20	Embedded
COB 8W	36V	200mA	480lm	24°	AC 220V	20	Embedded
COB 8W	36V	200mA	560lm	36°	AC 220V	20	Embedded
COB 8W	36V	200mA	580lm	60°	AC 220V	20	Embedded



EM-DB001M-1

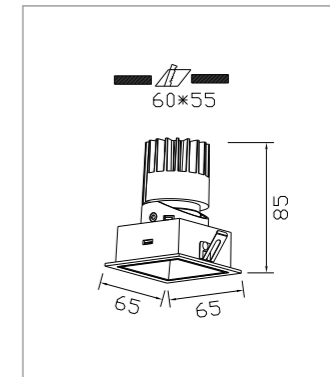


PHILIPS CITIZEN CREE
2700K / 3000K / 3500K / 4000K / 5000K

Power	Vf	Current	Lumens	Beam Angle	Voltage	IP	Installation
COB 8W	36V	200mA	400lm	8°	AC 220V	20	Embedded
COB 8W	36V	200mA	440lm	15°	AC 220V	20	Embedded
COB 8W	36V	200mA	480lm	24°	AC 220V	20	Embedded
COB 8W	36V	200mA	560lm	36°	AC 220V	20	Embedded
COB 8W	36V	200mA	580lm	60°	AC 220V	20	Embedded



EM-DB001S



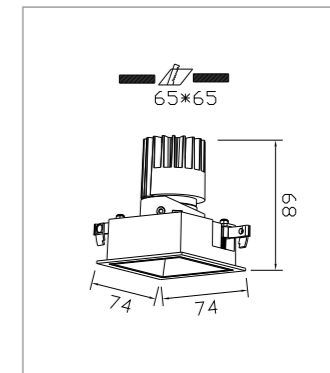
Reflector



PHILIPS CITIZEN CREE
2700K / 3000K / 3500K / 4000K / 5000K

Power	Vf	Current	Lumens	Beam Angle	Voltage	IP	Installation
COB 8W	36V	200mA	440lm	15°	AC 220V	44	Embedded
COB 8W	36V	200mA	480lm	24°	AC 220V	44	Embedded
COB 8W	36V	200mA	560lm	36°	AC 220V	44	Embedded
COB 8W	36V	200mA	580lm	60°	AC 220V	44	Embedded

EM-DB002S



Reflector



PHILIPS CITIZEN CREE
2700K / 3000K / 3500K / 4000K / 5000K

Power	Vf	Current	Lumens	Beam Angle	Voltage	IP	Installation
COB 8W	36V	200mA	440lm	15°	AC 220V	44	Embedded
COB 8W	36V	200mA	480lm	24°	AC 220V	44	Embedded
COB 8W	36V	200mA	560lm	36°	AC 220V	44	Embedded
COB 8W	36V	200mA	580lm	60°	AC 220V	44	Embedded



SCR dimming

0-10V

0-10V dimming

DALI

DALI dimming



Bluetooth Dimming

CRI ≥ 90

CRI > 90



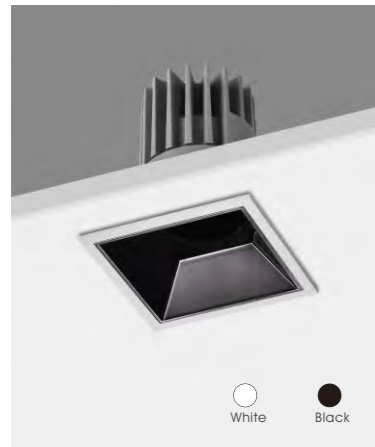
High-power LED SDCM<3

IP20

IP level

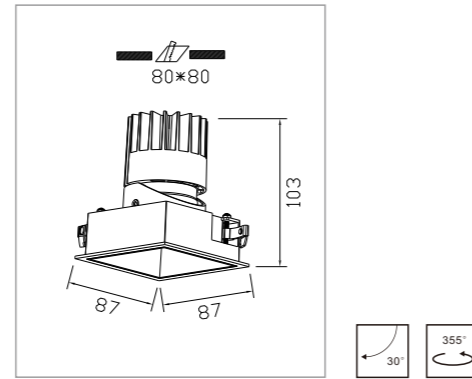


Anti-Glare



EM-DB003S

White Black

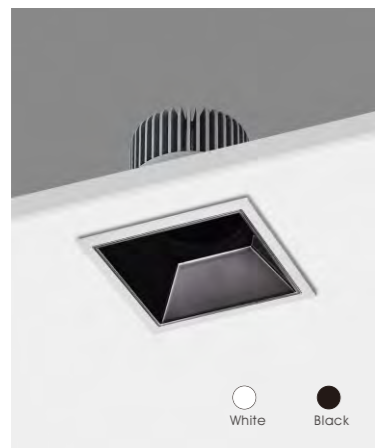


Reflector



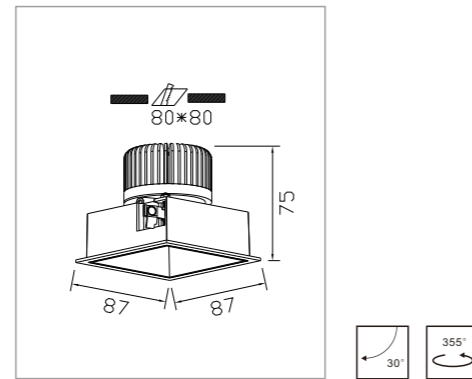
PHILIPS CITIZEN CREE
2700K / 3000K / 3500K / 4000K / 5000K

Power	Vf	Current	Lumens	Beam Angle	Voltage	IP	Installation
COB 12W	36V	300mA	1056lm	15°	AC 220V	44	Embedded
COB 12W	36V	300mA	1080lm	24°	AC 220V	44	Embedded
COB 12W	36V	300mA	1140lm	36°	AC 220V	44	Embedded
COB 12W	36V	300mA	1160lm	60°	AC 220V	44	Embedded



EM-DB003S-1

White Black



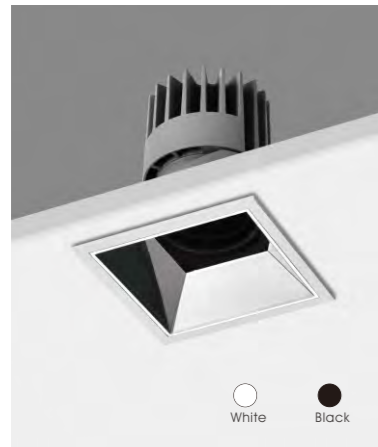
Reflector



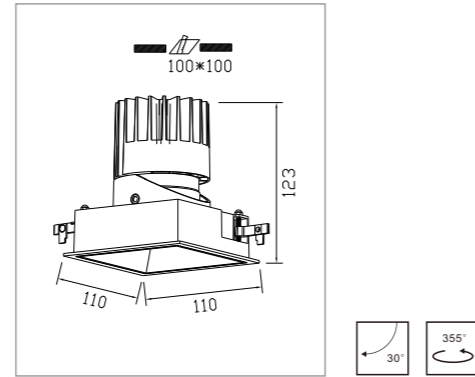
PHILIPS CITIZEN CREE
2700K / 3000K / 3500K / 4000K / 5000K

Power	Vf	Current	Lumens	Beam Angle	Voltage	IP	Installation
COB 12W	36V	300mA	1056lm	15°	AC 220V	20	Embedded
COB 12W	36V	300mA	1080lm	24°	AC 220V	20	Embedded
COB 12W	36V	300mA	1140lm	36°	AC 220V	20	Embedded
COB 12W	36V	300mA	1160lm	60°	AC 220V	20	Embedded

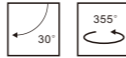




EM-DB004S



White Black



Reflector

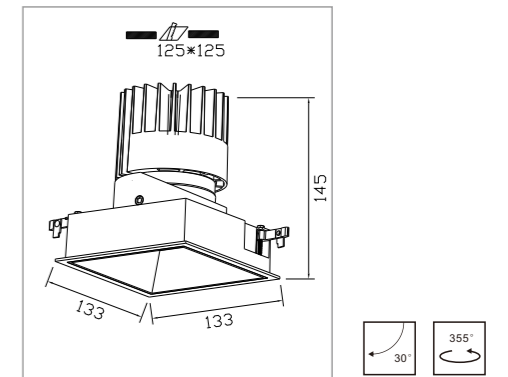


PHILIPS CITIZEN CREE
2700K / 3000K / 3500K / 4000K / 5000K

Power	Vf	Current	Lumens	Beam Angle	Voltage	IP	Installation
COB 25W	36V	600mA	2150lm	15°	AC 220V	44	Embedded
COB 25W	36V	600mA	2250lm	24°	AC 220V	44	Embedded
COB 25W	36V	600mA	2375lm	36°	AC 220V	44	Embedded
COB 25W	36V	600mA	2380lm	60°	AC 220V	44	Embedded



EM-DB005S



White Black

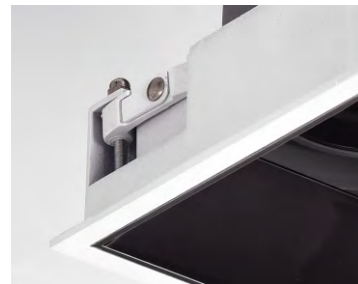


Reflector



PHILIPS CITIZEN CREE
2700K / 3000K / 3500K / 4000K / 5000K

Power	Vf	Current	Lumens	Beam Angle	Voltage	IP	Installation
COB 35W	36V	800mA	2950lm	15°	AC 220V	44	Embedded
COB 35W	36V	800mA	3150lm	24°	AC 220V	44	Embedded
COB 35W	36V	800mA	3300lm	36°	AC 220V	44	Embedded
COB 35W	36V	800mA	3320lm	60°	AC 220V	44	Embedded



Install the snap off



Install the snap



Anti glare cellular network





The unique space construction will isolate the noise around, and the beauty of elegant rhyme can be seen everywhere.

There is also luxury and calmness.

-designer



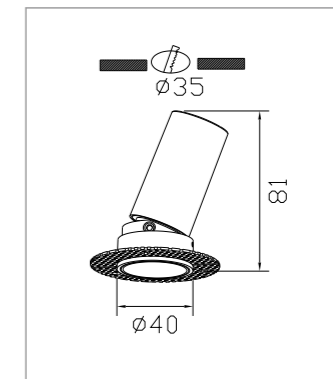
We don't want to destroy the architectural feeling brought by nature too much. The natural and quiet hidden in the world heritage has the ability to create the space atmosphere of vacation form.



- SCR dimming
- 0-10V dimming
- DALI dimming
- Bluetooth Dimming
- CRI >= 90
- High-power LED SDCM<3
- IP20
- Anti-Glare



EM-DB001N-1

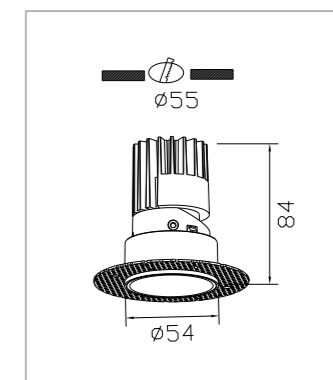


PHILIPS CITIZEN CREE
2700K / 3000K / 3500K / 4000K / 5000K

Power	Vf	Current	Lumens	Beam Angle	Voltage	IP	Installation
COB 8W	36V	200mA	400lm	8°	AC 220V	20	Embedded
COB 8W	36V	200mA	440lm	15°	AC 220V	20	Embedded
COB 8W	36V	200mA	480lm	24°	AC 220V	20	Embedded
COB 8W	36V	200mA	560lm	36°	AC 220V	20	Embedded
COB 8W	36V	200mA	580lm	60°	AC 220V	20	Embedded



EM-DB001N

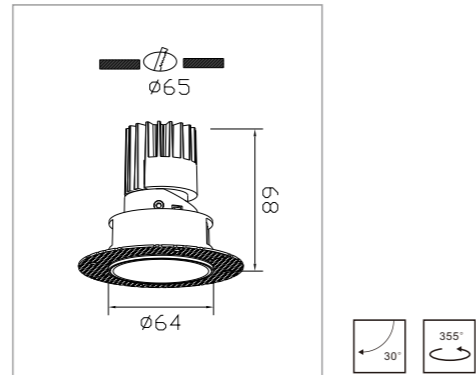


PHILIPS CITIZEN CREE
2700K / 3000K / 3500K / 4000K / 5000K

Power	Vf	Current	Lumens	Beam Angle	Voltage	IP	Installation
COB 8W	36V	200mA	440lm	15°	AC 220V	44	Embedded
COB 8W	36V	200mA	480lm	24°	AC 220V	44	Embedded
COB 8W	36V	200mA	560lm	36°	AC 220V	44	Embedded
COB 8W	36V	200mA	580lm	60°	AC 220V	44	Embedded



EM-DB002N



White Black

Reflector

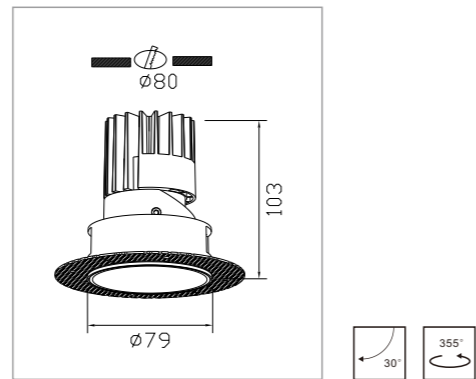


PHILIPS CITIZEN CREE
2700K / 3000K / 3500K / 4000K / 5000K

Power	Vf	Current	Lumens	Beam Angle	Voltage	IP	Installation
COB 8W	36V	200mA	440lm	15°	AC 220V	44	Embedded
COB 8W	36V	200mA	480lm	24°	AC 220V	44	Embedded
COB 8W	36V	200mA	560lm	36°	AC 220V	44	Embedded
COB 8W	36V	200mA	580lm	60°	AC 220V	44	Embedded



EM-DB003N



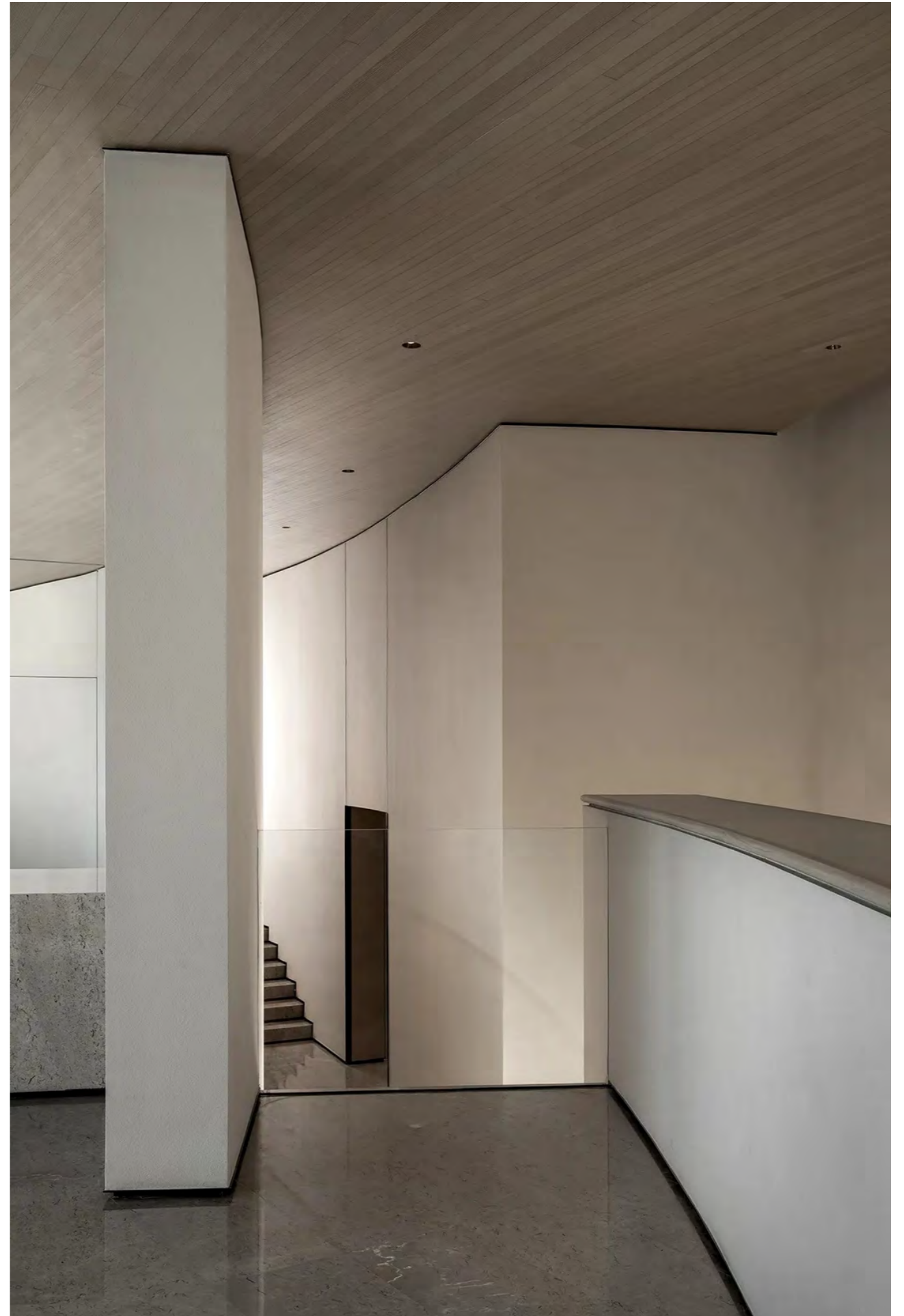
White Black

Reflector



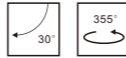
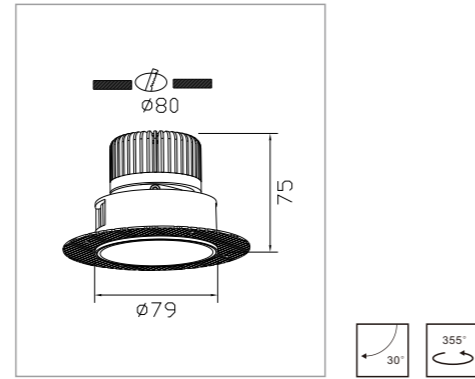
PHILIPS CITIZEN CREE
2700K / 3000K / 3500K / 4000K / 5000K

Power	Vf	Current	Lumens	Beam Angle	Voltage	IP	Installation
COB 12W	36V	300mA	1056lm	15°	AC 220V	44	Embedded
COB 12W	36V	300mA	1080lm	24°	AC 220V	44	Embedded
COB 12W	36V	300mA	1140lm	36°	AC 220V	44	Embedded
COB 12W	36V	300mA	1160lm	60°	AC 220V	44	Embedded





EM-DB003N-1

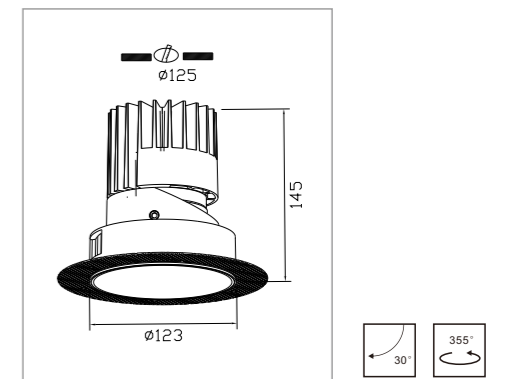


PHILIPS CITIZEN CREE
2700K / 3000K / 3500K / 4000K / 5000K

Power	Vf	Current	Lumens	Beam Angle	Voltage	IP	Installation
COB 12W	36V	300mA	1056lm	15°	AC 220V	20	Embedded
COB 12W	36V	300mA	1080lm	24°	AC 220V	20	Embedded
COB 12W	36V	300mA	1140lm	36°	AC 220V	20	Embedded
COB 12W	36V	300mA	1160lm	60°	AC 220V	20	Embedded



EM-DB005N

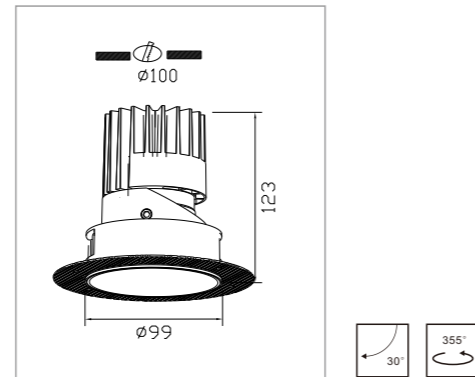


PHILIPS CITIZEN CREE
2700K / 3000K / 3500K / 4000K / 5000K

Power	Vf	Current	Lumens	Beam Angle	Voltage	IP	Installation
COB 35W	36V	800mA	2950lm	15°	AC 220V	44	Embedded
COB 35W	36V	800mA	3150lm	24°	AC 220V	44	Embedded
COB 35W	36V	800mA	3300lm	36°	AC 220V	44	Embedded
COB 35W	36V	800mA	3320lm	60°	AC 220V	44	Embedded



EM-DB004N



PHILIPS CITIZEN CREE
2700K / 3000K / 3500K / 4000K / 5000K

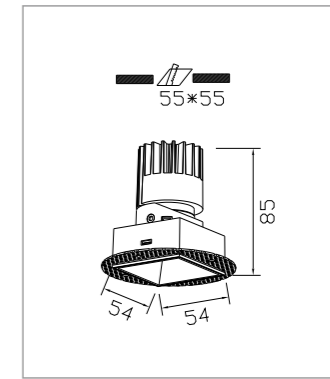
Power	Vf	Current	Lumens	Beam Angle	Voltage	IP	Installation
COB 25W	36V	600mA	2150lm	15°	AC 220V	44	Embedded
COB 25W	36V	600mA	2250lm	24°	AC 220V	44	Embedded
COB 25W	36V	600mA	2375lm	36°	AC 220V	44	Embedded
COB 25W	36V	600mA	2380lm	60°	AC 220V	44	Embedded





-
-
-
-
-
-
-
-

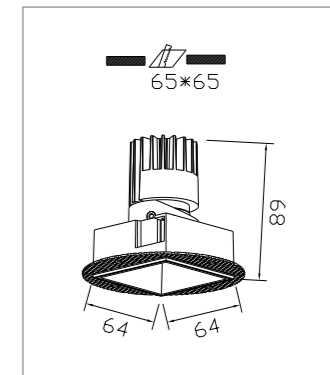
EM-DB001SN



PHILIPS CITIZEN CREE
2700K / 3000K / 3500K / 4000K / 5000K

Power	Vf	Current	Lumens	Beam Angle	Voltage	IP	Installation
COB 8W	36V	200mA	440lm	15°	AC 220V	44	Embedded
COB 8W	36V	200mA	480lm	24°	AC 220V	44	Embedded
COB 8W	36V	200mA	560lm	36°	AC 220V	44	Embedded
COB 8W	36V	200mA	580lm	60°	AC 220V	44	Embedded

EM-DB002SN



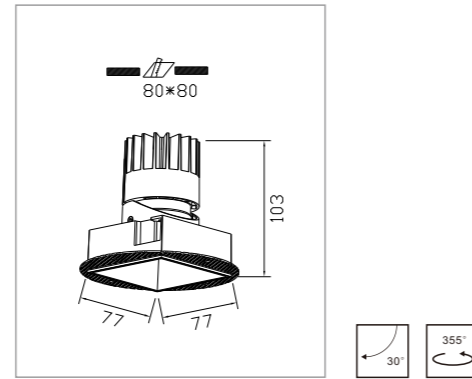
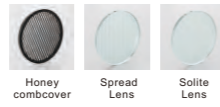
PHILIPS CITIZEN CREE
2700K / 3000K / 3500K / 4000K / 5000K

Power	Vf	Current	Lumens	Beam Angle	Voltage	IP	Installation
COB 8W	36V	200mA	440lm	15°	AC 220V	44	Embedded
COB 8W	36V	200mA	480lm	24°	AC 220V	44	Embedded
COB 8W	36V	200mA	560lm	36°	AC 220V	44	Embedded
COB 8W	36V	200mA	580lm	60°	AC 220V	44	Embedded



EM-DB003SN

White Black



Reflector



PHILIPS CITIZEN CREE

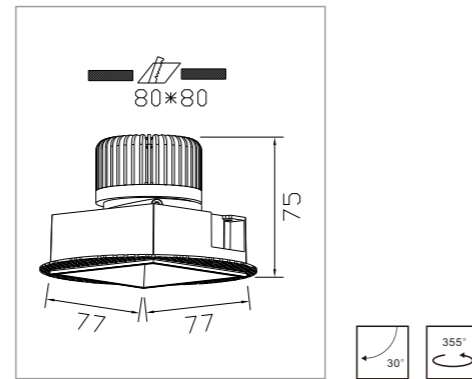
2700K / 3000K / 3500K / 4000K / 5000K

Power	Vf	Current	Lumens	Beam Angle	Voltage	IP	Installation
COB 12W	36V	300mA	1056lm	15°	AC 220V	44	Embedded
COB 12W	36V	300mA	1080lm	24°	AC 220V	44	Embedded
COB 12W	36V	300mA	1140lm	36°	AC 220V	44	Embedded
COB 12W	36V	300mA	1160lm	60°	AC 220V	44	Embedded



EM-DB003SN-1

White Black



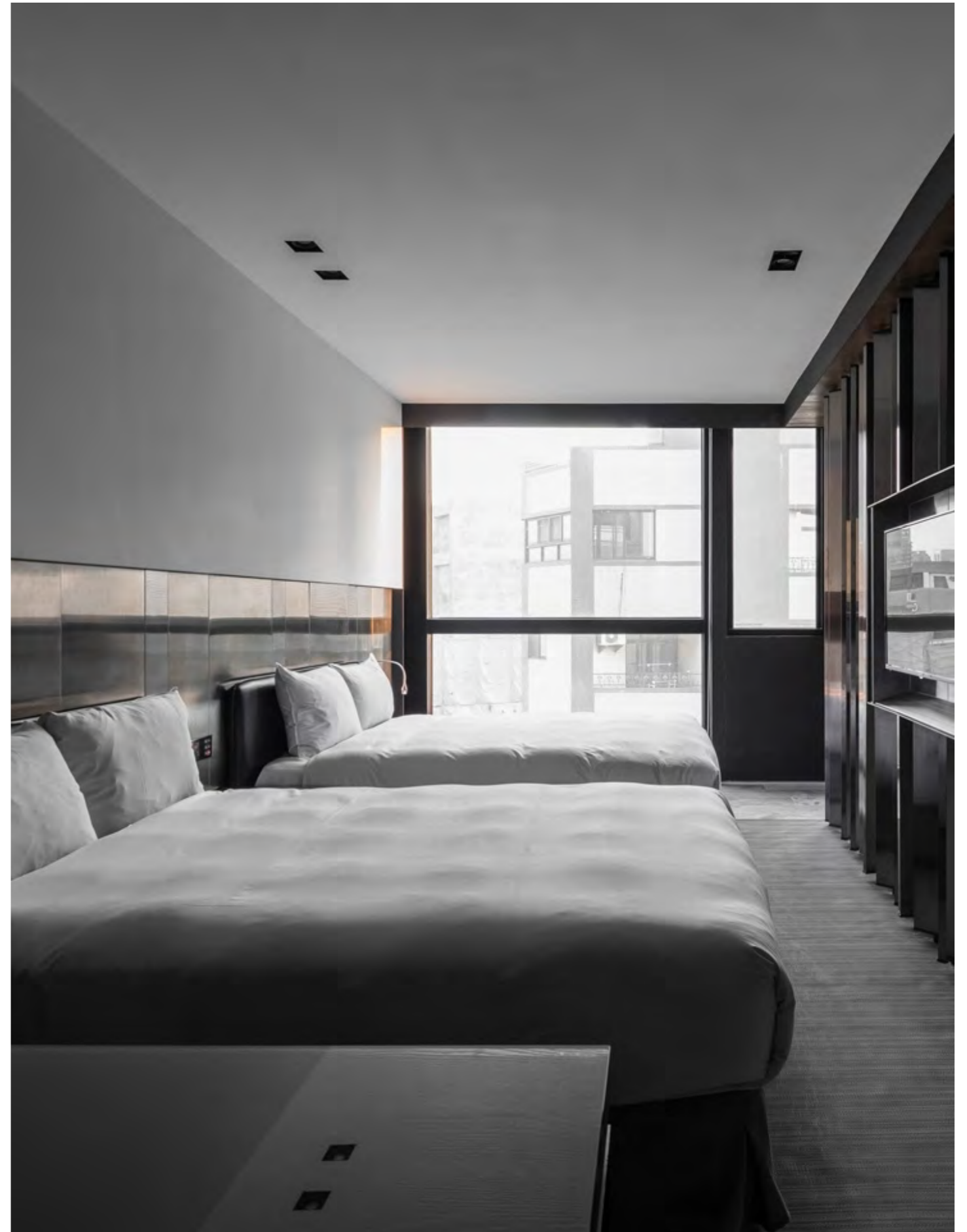
Reflector



PHILIPS CITIZEN CREE

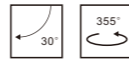
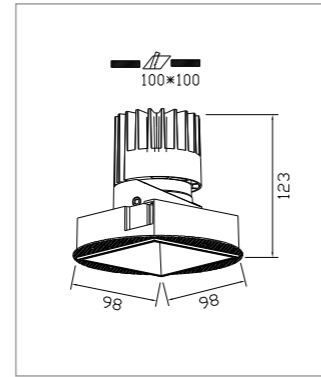
2700K / 3000K / 3500K / 4000K / 5000K

Power	Vf	Current	Lumens	Beam Angle	Voltage	IP	Installation
COB 12W	36V	300mA	1056lm	15°	AC 220V	20	Embedded
COB 12W	36V	300mA	1080lm	24°	AC 220V	20	Embedded
COB 12W	36V	300mA	1140lm	36°	AC 220V	20	Embedded
COB 12W	36V	300mA	1160lm	60°	AC 220V	20	Embedded





EM-DB004SN



Reflector



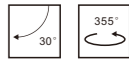
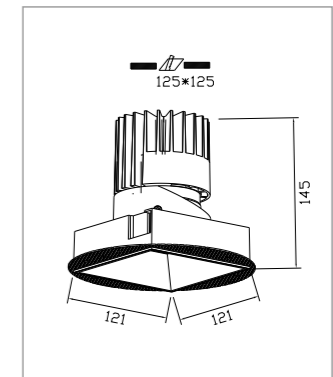
PHILIPS CITIZEN CREE

2700K / 3000K / 3500K / 4000K / 5000K

Power	Vf	Current	Lumens	Beam Angle	Voltage	IP	Installation
COB 25W	36V	600mA	2150lm	15°	AC 220V	44	Embedded
COB 25W	36V	600mA	2250lm	24°	AC 220V	44	Embedded
COB 25W	36V	600mA	2375lm	36°	AC 220V	44	Embedded
COB 25W	36V	600mA	2380lm	60°	AC 220V	44	Embedded



EM-DB005SN



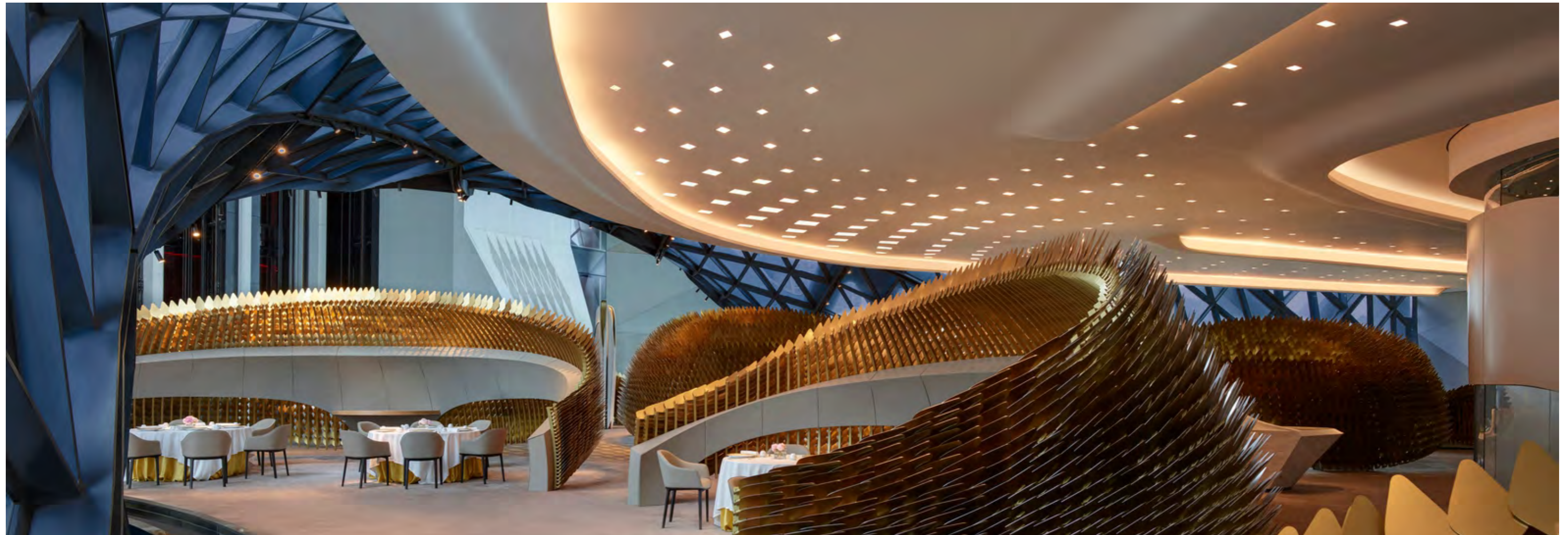
Reflector



PHILIPS CITIZEN CREE

2700K / 3000K / 3500K / 4000K / 5000K

Power	Vf	Current	Lumens	Beam Angle	Voltage	IP	Installation
COB 35W	36V	800mA	2950lm	15°	AC 220V	44	Embedded
COB 35W	36V	800mA	3150lm	24°	AC 220V	44	Embedded
COB 35W	36V	800mA	3300lm	36°	AC 220V	44	Embedded
COB 35W	36V	800mA	3320lm	60°	AC 220V	44	Embedded



Connect the footprints together, and
you will see the light of hope.

-designer



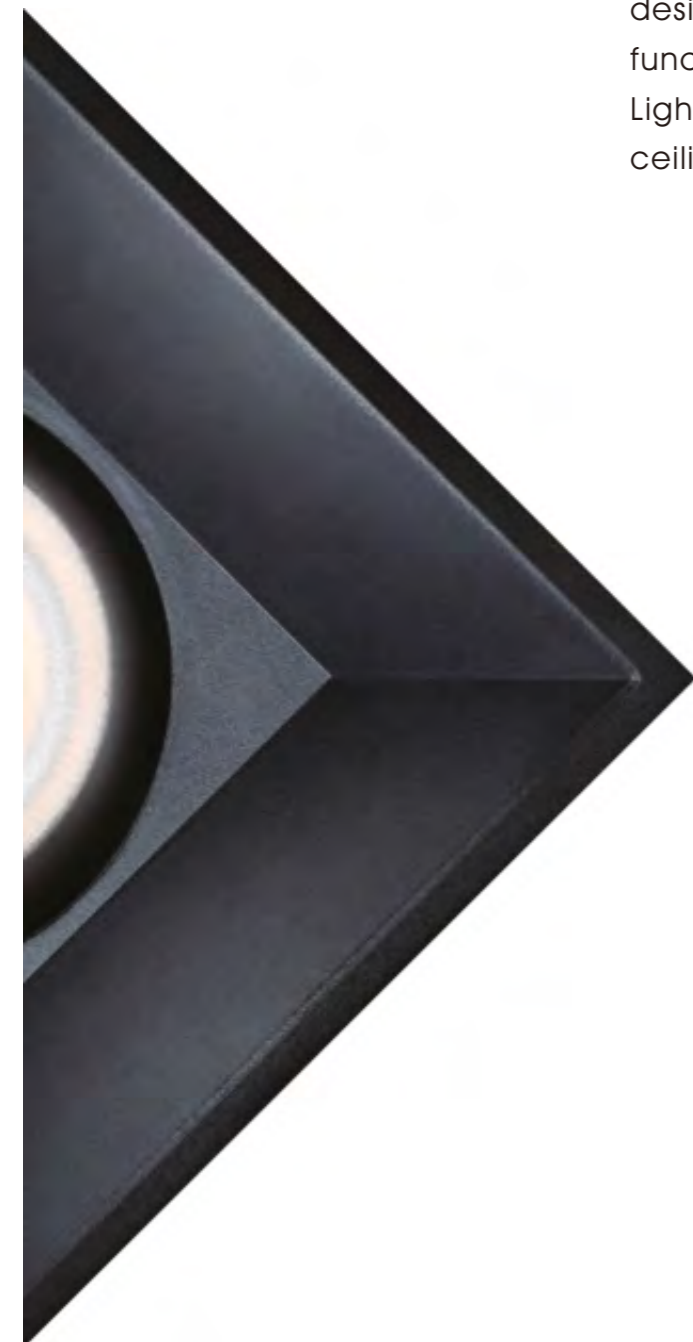
The light of the Museum

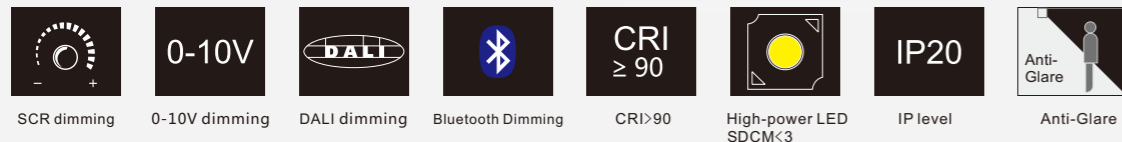


The pursuit of the ultimate in life, let me the enthusiasm
for lighting, intoxicated in the mountains and rivers, listen
to the wind and water, any thoughts slowly sink.

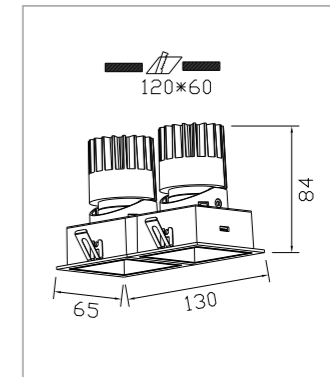
Multiple Combination

Infinite splicing - the most creative design of square grille lamp.
The zigzag splicing changes the square into a high-quality linear lamp.
Special shaped splicing, T-shaped, cross shaped, L-shaped, Tian zigzag Master
All of them are easily spliced, and lighting designers can flexibly realize different functions
Light demand, perfect to adapt to all kinds of ceiling structure.



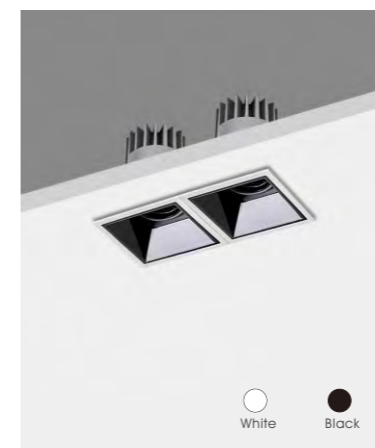


EM021S

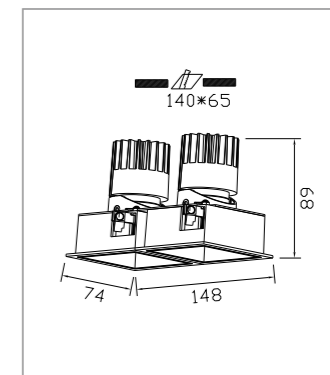


PHILIPS CITIZEN CREE
2700K / 3000K / 3500K / 4000K / 5000K

Power	Vf	Current	Lumens	Beam Angle	Voltage	IP	Installation
COB 2*8W	36V	200mA	2*440lm	15°	AC 220V	44	Embedded
COB 2*8W	36V	200mA	2*480lm	24°	AC 220V	44	Embedded
COB 2*8W	36V	200mA	2*560lm	36°	AC 220V	44	Embedded
COB 2*8W	36V	200mA	2*580lm	60°	AC 220V	44	Embedded

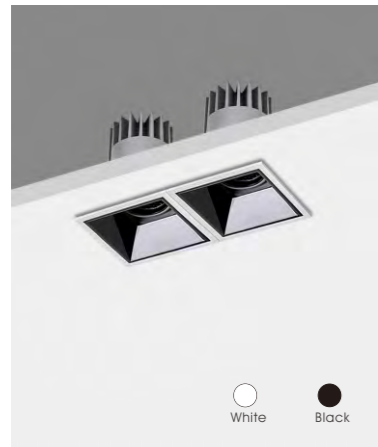


EM022S

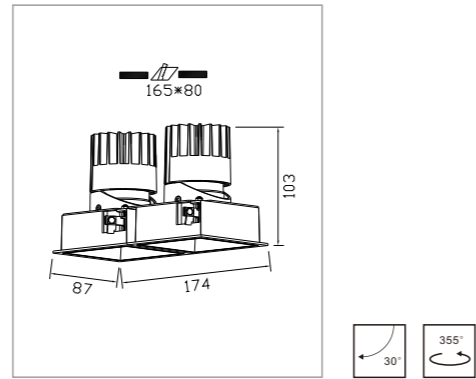


PHILIPS CITIZEN CREE
2700K / 3000K / 3500K / 4000K / 5000K

Power	Vf	Current	Lumens	Beam Angle	Voltage	IP	Installation
COB 2*8W	36V	200mA	2*440lm	15°	AC 220V	44	Embedded
COB 2*8W	36V	200mA	2*480lm	24°	AC 220V	44	Embedded
COB 2*8W	36V	200mA	2*560lm	36°	AC 220V	44	Embedded
COB 2*8W	36V	200mA	2*580lm	60°	AC 220V	44	Embedded



EM023S



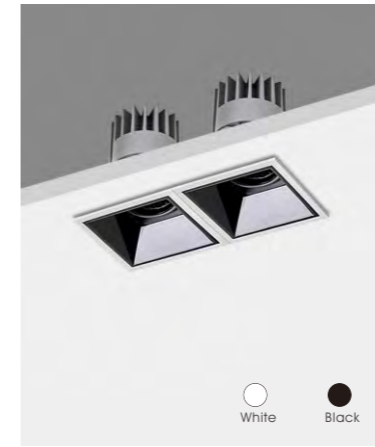
White Black

Reflector

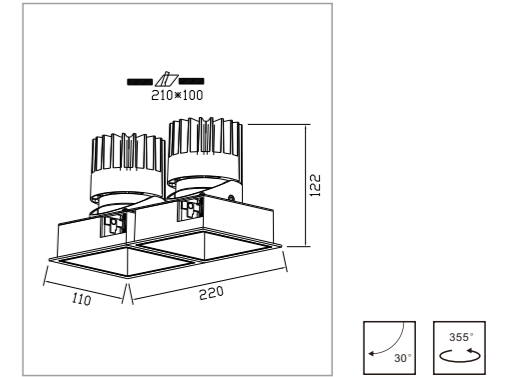


PHILIPS CITIZEN CREE
2700K / 3000K / 3500K / 4000K / 5000K

Power	Vf	Current	Lumens	Beam Angle	Voltage	IP	Installation
COB 2*12W	36V	300mA	2*1056lm	15°	AC 220V	44	Embedded
COB 2*12W	36V	300mA	2*1080lm	24°	AC 220V	44	Embedded
COB 2*12W	36V	300mA	2*1140lm	36°	AC 220V	44	Embedded
COB 2*12W	36V	300mA	2*1160lm	60°	AC 220V	44	Embedded



EM024S



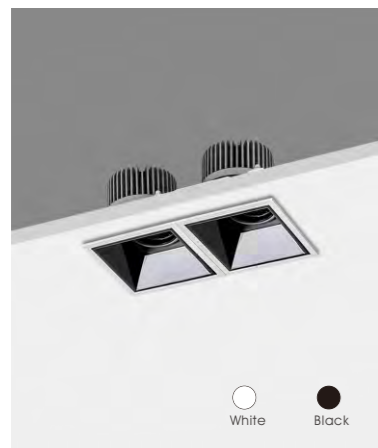
White Black

Reflector

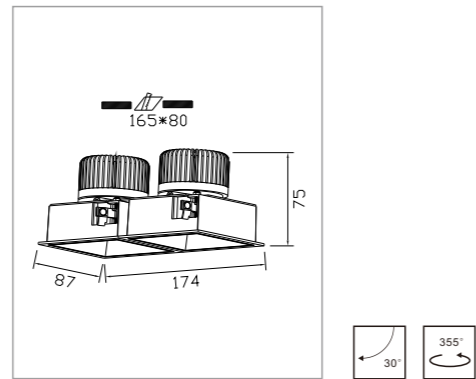


PHILIPS CITIZEN CREE
2700K / 3000K / 3500K / 4000K / 5000K

Power	Vf	Current	Lumens	Beam Angle	Voltage	IP	Installation
COB 2*25W	36V	600mA	2*2150lm	15°	AC 220V	44	Embedded
COB 2*25W	36V	600mA	2*2250lm	24°	AC 220V	44	Embedded
COB 2*25W	36V	600mA	2*2375lm	36°	AC 220V	44	Embedded
COB 2*25W	36V	600mA	2*2380lm	60°	AC 220V	44	Embedded



EM023S-1



White Black

Reflector

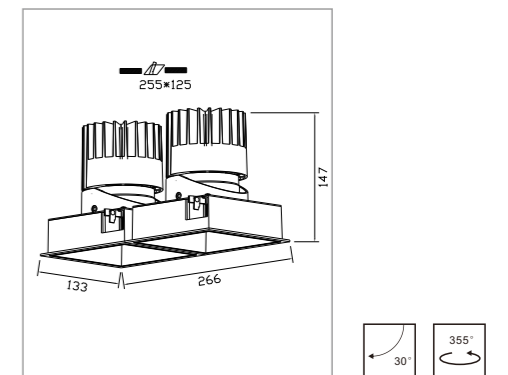


PHILIPS CITIZEN CREE
2700K / 3000K / 3500K / 4000K / 5000K

Power	Vf	Current	Lumens	Beam Angle	Voltage	IP	Installation
COB 2*12W	36V	300mA	2*1056lm	15°	AC 220V	20	Embedded
COB 2*12W	36V	300mA	2*1080lm	24°	AC 220V	20	Embedded
COB 2*12W	36V	300mA	2*1140lm	36°	AC 220V	20	Embedded
COB 2*12W	36V	300mA	2*1160lm	60°	AC 220V	20	Embedded



EM025S



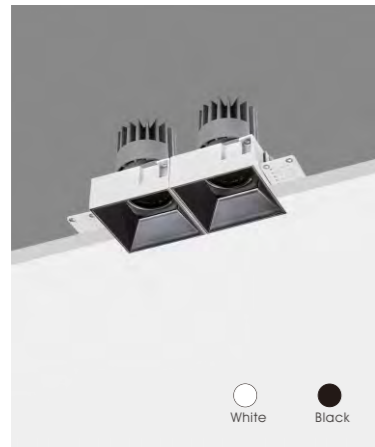
White Black

Reflector

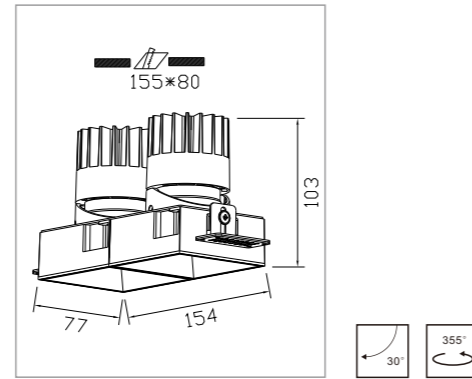


PHILIPS CITIZEN CREE
2700K / 3000K / 3500K / 4000K / 5000K

Power	Vf	Current	Lumens	Beam Angle	Voltage	IP	Installation
COB 2*35W	36V	800mA	2*2950lm	15°	AC 220V	44	Embedded
COB 2*35W	36V	800mA	2*3150lm	24°	AC 220V	44	Embedded
COB 2*35W	36V	800mA	2*3300lm	36°	AC 220V	44	Embedded
COB 2*35W	36V	800mA	2*3320lm	60°	AC 220V	44	Embedded



EM023SN



White Black



Reflector

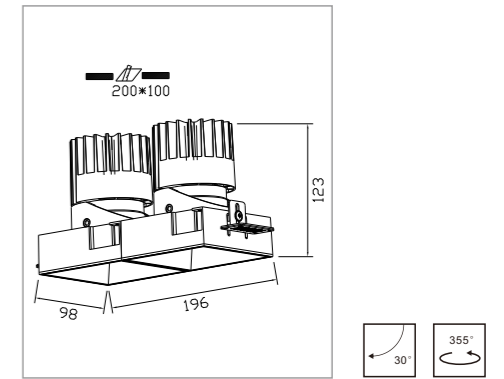


PHILIPS CITIZEN CREE
2700K / 3000K / 3500K / 4000K / 5000K

Power	Vf	Current	Lumens	Beam Angle	Voltage	IP	Installation
COB 2*12W	36V	300mA	2*1056lm	15°	AC 220V	44	Embedded
COB 2*12W	36V	300mA	2*1080lm	24°	AC 220V	44	Embedded
COB 2*12W	36V	300mA	2*1140lm	36°	AC 220V	44	Embedded
COB 2*12W	36V	300mA	2*1160lm	60°	AC 220V	44	Embedded



EM024S



White Black

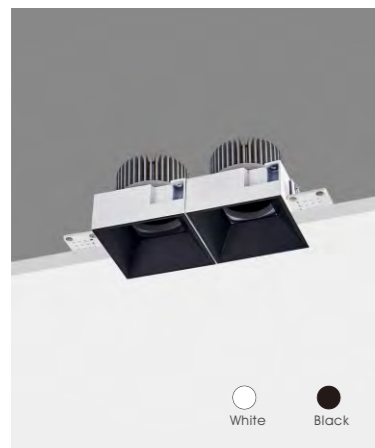


Reflector

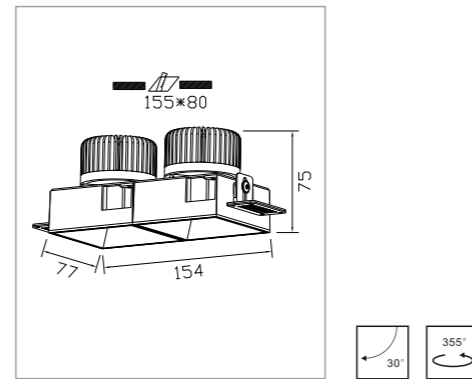


PHILIPS CITIZEN CREE
2700K / 3000K / 3500K / 4000K / 5000K

Power	Vf	Current	Lumens	Beam Angle	Voltage	IP	Installation
COB 2*25W	36V	600mA	2*2150lm	15°	AC 220V	44	Embedded
COB 2*25W	36V	600mA	2*2250lm	24°	AC 220V	44	Embedded
COB 2*25W	36V	600mA	2*2375lm	36°	AC 220V	44	Embedded
COB 2*25W	36V	600mA	2*2380lm	60°	AC 220V	44	Embedded



EM023SN-1



White Black



Reflector

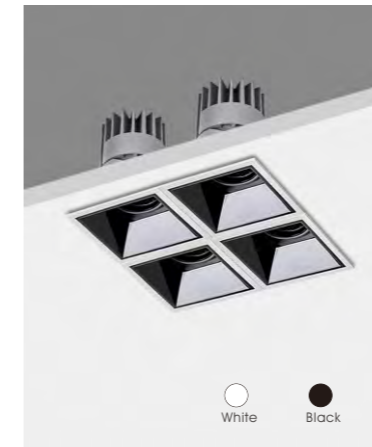


PHILIPS CITIZEN CREE
2700K / 3000K / 3500K / 4000K / 5000K

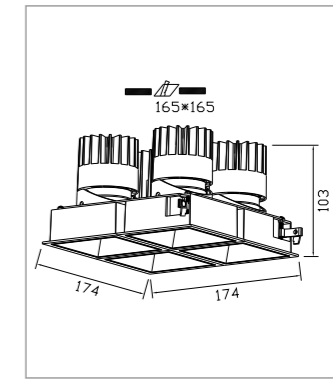
Power	Vf	Current	Lumens	Beam Angle	Voltage	IP	Installation
COB 2*12W	36V	300mA	2*1056lm	15°	AC 220V	20	Embedded
COB 2*12W	36V	300mA	2*1080lm	24°	AC 220V	20	Embedded
COB 2*12W	36V	300mA	2*1140lm	36°	AC 220V	20	Embedded
COB 2*12W	36V	300mA	2*1160lm	60°	AC 220V	20	Embedded



-
-
-
-
-
-
-
-



EM043S

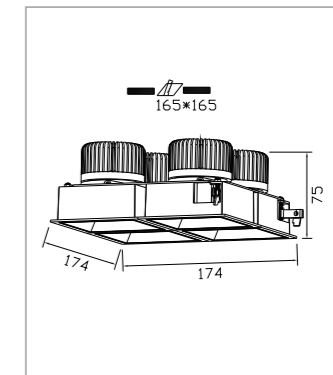


PHILIPS CITIZEN CREE
2700K / 3000K / 3500K / 4000K / 5000K

Power	Vf	Current	Lumens	Beam Angle	Voltage	IP	Installation
COB 4*12W	36V	300mA	4*1056lm	15°	AC 220V	44	Embedded
COB 4*12W	36V	300mA	4*1080lm	24°	AC 220V	44	Embedded
COB 4*12W	36V	300mA	4*1140lm	36°	AC 220V	44	Embedded
COB 4*12W	36V	300mA	4*1160lm	60°	AC 220V	44	Embedded

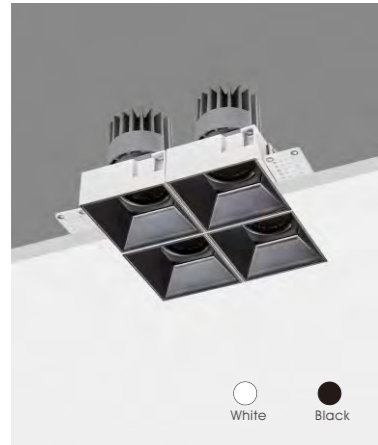


EM043S-1

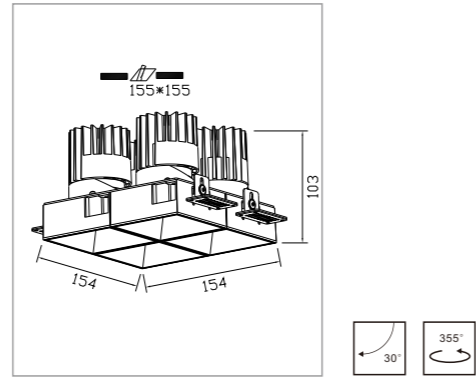


PHILIPS CITIZEN CREE
2700K / 3000K / 3500K / 4000K / 5000K

Power	Vf	Current	Lumens	Beam Angle	Voltage	IP	Installation
COB 4*12W	36V	300mA	4*1056lm	15°	AC 220V	20	Embedded
COB 4*12W	36V	300mA	4*1080lm	24°	AC 220V	20	Embedded
COB 4*12W	36V	300mA	4*1140lm	36°	AC 220V	20	Embedded
COB 4*12W	36V	300mA	4*1160lm	60°	AC 220V	20	Embedded



EM043SN



White Black

Reflector

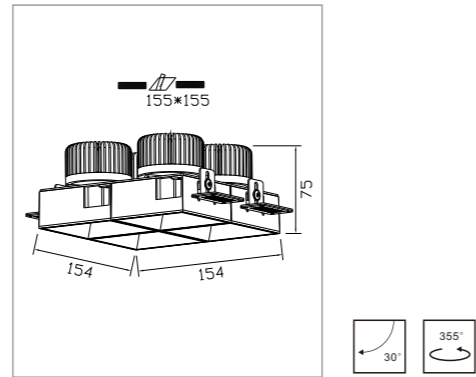


PHILIPS CITIZEN CREE
2700K / 3000K / 3500K / 4000K / 5000K

Power	Vf	Current	Lumens	Beam Angle	Voltage	IP	Installation
COB 4*12W	36V	300mA	4*1056lm	15°	AC 220V	44	Embedded
COB 4*12W	36V	300mA	4*1080lm	24°	AC 220V	44	Embedded
COB 4*12W	36V	300mA	4*1140lm	36°	AC 220V	44	Embedded
COB 4*12W	36V	300mA	4*1160lm	60°	AC 220V	44	Embedded



EM043SN-1



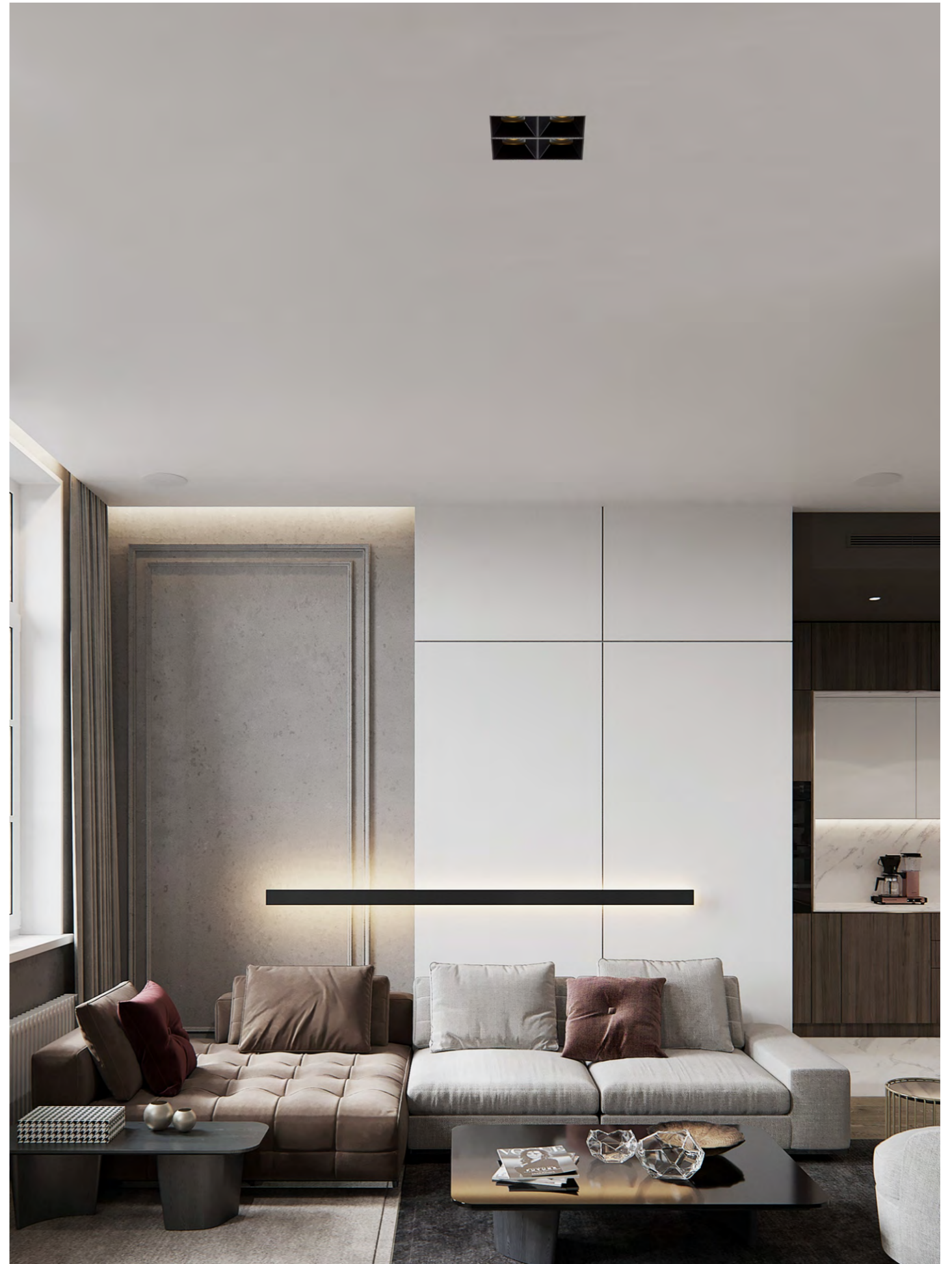
White Black

Reflector



PHILIPS CITIZEN CREE
2700K / 3000K / 3500K / 4000K / 5000K

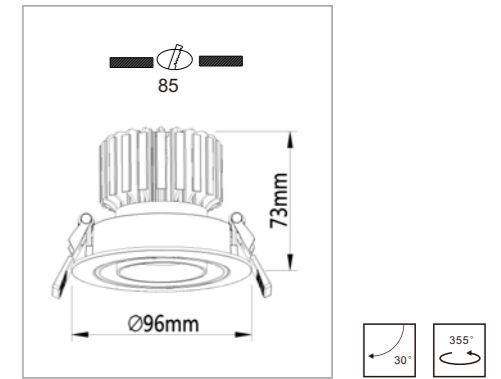
Power	Vf	Current	Lumens	Beam Angle	Voltage	IP	Installation
COB 4*12W	36V	300mA	4*1056lm	15°	AC 220V	20	Embedded
COB 4*12W	36V	300mA	4*1080lm	24°	AC 220V	20	Embedded
COB 4*12W	36V	300mA	4*1140lm	36°	AC 220V	20	Embedded
COB 4*12W	36V	300mA	4*1160lm	60°	AC 220V	20	Embedded





EM-TD001

White Black







PHILIPS CITIZEN CREE

2700K / 3000K / 3500K / 4000K / 5000K

Power	Vf	Current	Lumens	Beam Angle	Voltage	IP	Installation
COB 12W	36V	300mA	1056lm	15°	AC 220V	20	Embedded
COB 12W	36V	300mA	1080lm	24°	AC 220V	20	Embedded
COB 12W	36V	300mA	1140lm	36°	AC 220V	20	Embedded
COB 12W	36V	300mA	1160lm	60°	AC 220V	20	Embedded



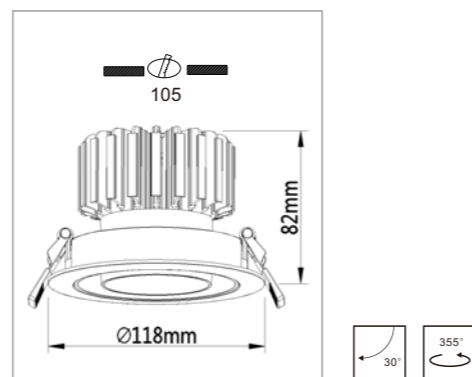
Anti-Glare

- 
 SCR dimming
- 0-10V
 0-10V dimming
- 
 DALI dimming
- 
 Bluetooth Dimming
- CRI ≥ 90
 CRI > 9
- 
 High-power LED
 DCM < 3
- IP20
 IP level
- 
 Anti-Glar



EM-TD002

○ White
● Black



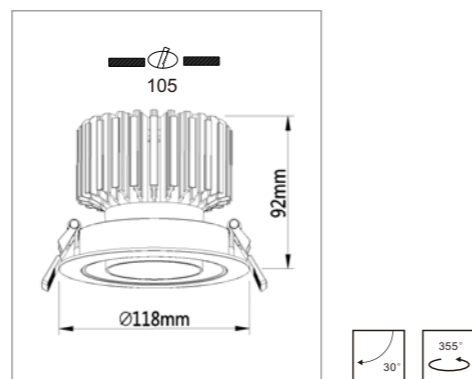
2700K / 3000K / 3500K / 4000K / 5000K

Power	Vf	Current	Lumens	Beam Angle	Voltage	IP	Installation
COB 20W	36V	500mA	1700lm	15°	AC 220V	20	Embedded
COB 20W	36V	500mA	1800lm	24°	AC 220V	20	Embedded
COB 20W	36V	500mA	1900lm	36°	AC 220V	20	Embedded
COB 20W	36V	500mA	1920lm	60°	AC 220V	20	Embedded



EM-TD003

○ White
● Black



2700K / 3000K / 3500K / 4000K / 5000K

Power	Vf	Current	Lumens	Beam Angle	Voltage	IP	Installation
COB 30W	36V	700mA	2550lm	15°	AC 220V	20	Embedded
COB 30W	36V	700mA	2700lm	24°	AC 220V	20	Embedded
COB 30W	36V	700mA	2850lm	36°	AC 220V	20	Embedded
COB 30W	36V	700mA	2880lm	60°	AC 220V	20	Embedded

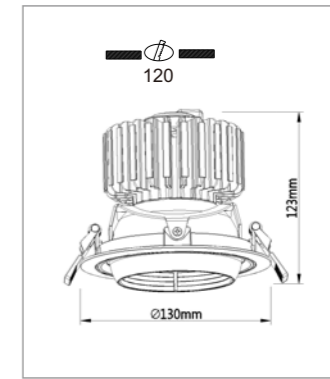




DA004



White Black



2700K / 3000K / 3500K / 4000K / 5000K

Power	Vf	Current	Lumens	Beam Angle	Voltage	IP	Installation
COB 35W	36V	800mA	3400lm	15°	AC 220V	20	Embedded
COB 35W	36V	800mA	3600lm	24°	AC 220V	20	Embedded
COB 35W	36V	800mA	3800lm	36°	AC 220V	20	Embedded
COB 35W	36V	800mA	3820lm	60°	AC 220V	20	Embedded

- SCR dimming
- 0-10V dimming
- DALI dimming
- Bluetooth Dimming
- CRI > 90
- High-power LED SDCM<3
- IP20
- Anti-Glare





SCR dimming



0-10V dimming



DALI dimming



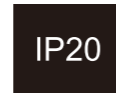
Bluetooth Dimming



CRI >= 90



High-power LED
SDCM < 3



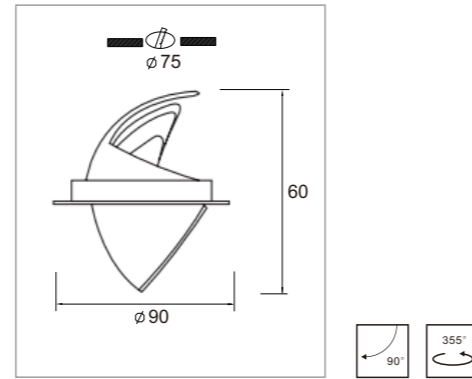
IP level



Anti-Glare



EM-DA001

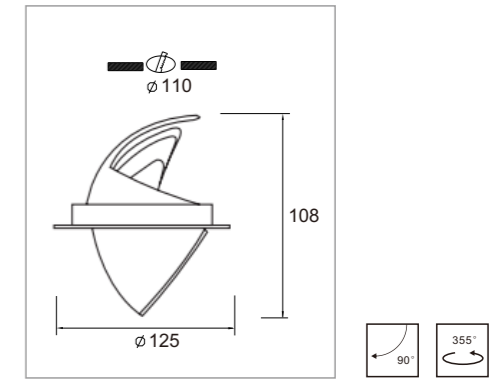


2700K / 3000K / 3500K / 4000K / 5000K

Power	Vf	Current	Lumens	Beam Angle	Voltage	IP	Installation
COB 12W	36V	300mA	1056lm	15°	AC 220V	20	Embedded
COB 12W	36V	300mA	1080lm	24°	AC 220V	20	Embedded
COB 12W	36V	300mA	1140lm	36°	AC 220V	20	Embedded
COB 12W	36V	300mA	1160lm	60°	AC 220V	20	Embedded

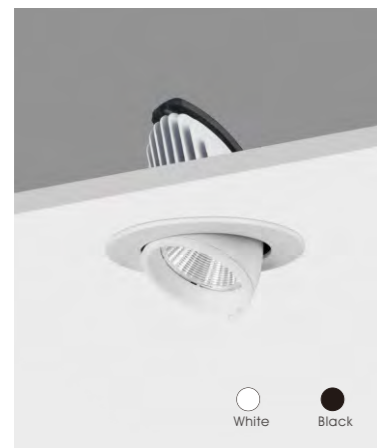


EM-DA003

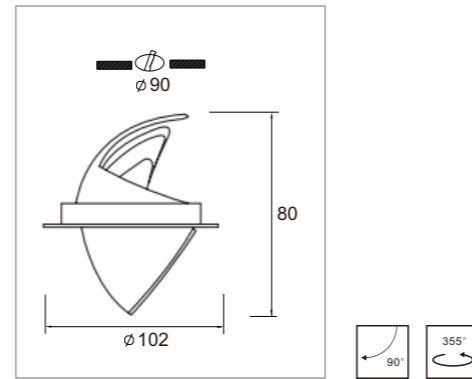


2700K / 3000K / 3500K / 4000K / 5000K

Power	Vf	Current	Lumens	Beam Angle	Voltage	IP	Installation
COB 20W	36V	500mA	1700lm	15°	AC 220V	20	Embedded
COB 20W	36V	500mA	1800lm	24°	AC 220V	20	Embedded
COB 20W	36V	500mA	1900lm	36°	AC 220V	20	Embedded
COB 20W	36V	500mA	1920lm	60°	AC 220V	20	Embedded



EM-DA002

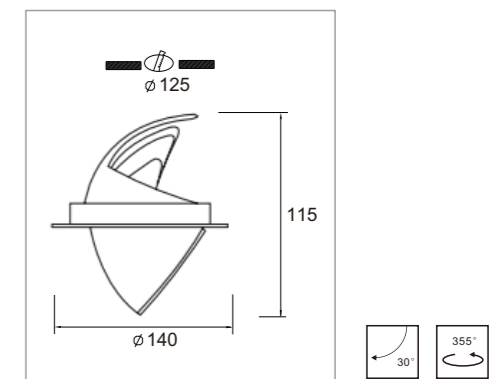


2700K / 3000K / 3500K / 4000K / 5000K

Power	Vf	Current	Lumens	Beam Angle	Voltage	IP	Installation
COB 15W	36V	350mA	1320lm	15°	AC 220V	20	Embedded
COB 15W	36V	350mA	1350lm	24°	AC 220V	20	Embedded
COB 15W	36V	350mA	1380lm	36°	AC 220V	20	Embedded
COB 15W	36V	350mA	1390lm	60°	AC 220V	20	Embedded



EM-DA004

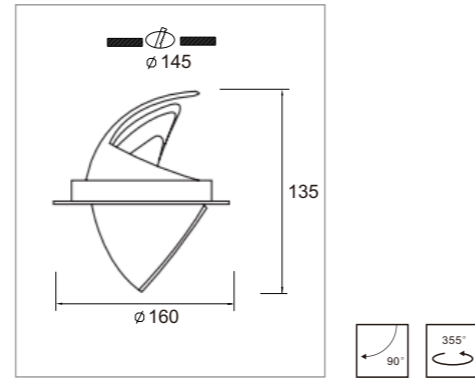


2700K / 3000K / 3500K / 4000K / 5000K

Power	Vf	Current	Lumens	Beam Angle	Voltage	IP	Installation
COB 30W	36V	700mA	2550lm	15°	AC 220V	20	Embedded
COB 30W	36V	700mA	2700lm	24°	AC 220V	20	Embedded
COB 30W	36V	700mA	2850lm	36°	AC 220V	20	Embedded
COB 30W	36V	700mA	2880lm	60°	AC 220V	20	Embedded

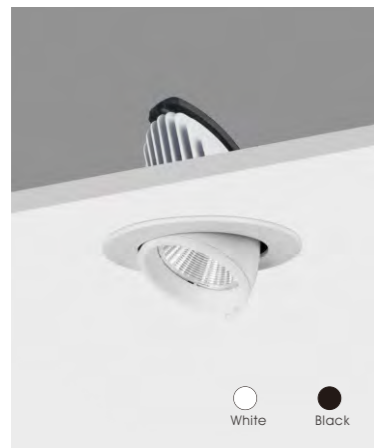


EM-DA005

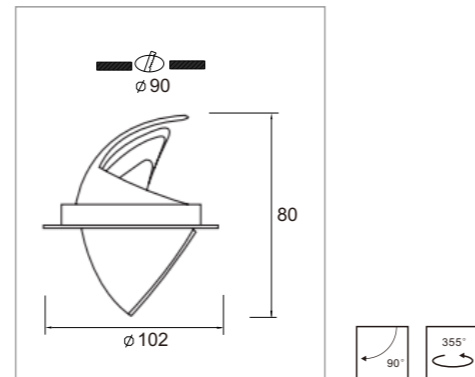


 **PHILIPS**  **CITIZEN**  **CREE**
2700K / 3000K / 3500K / 4000K / 5000K

Power	Vf	Current	Lumens	Beam Angle	Voltage	IP	Installation
COB 40W	36V	1050mA	3400lm	15°	AC 220V	20	Embedded
COB 40W	36V	1050mA	3450lm	24°	AC 220V	20	Embedded
COB 40W	36V	1050mA	3500lm	36°	AC 220V	20	Embedded
COB 40W	36V	1050mA	3550lm	60°	AC 220V	20	Embedded



EM-DA006



 **PHILIPS**  **CITIZEN**  **CREE**
2700K / 3000K / 3500K / 4000K / 5000K

Power	Vf	Current	Lumens	Beam Angle	Voltage	IP	Installation
COB 50W	36V	1200mA	4250lm	15°	AC 220V	20	Embedded
COB 50W	36V	1200mA	4300lm	24°	AC 220V	20	Embedded
COB 50W	36V	1200mA	4350lm	36°	AC 220V	20	Embedded
COB 50W	36V	1200mA	4400lm	60°	AC 220V	20	Embedded







SCR dimming



0-10V dimming



DALI dimming



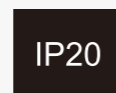
Bluetooth Dimming



CRI >= 90



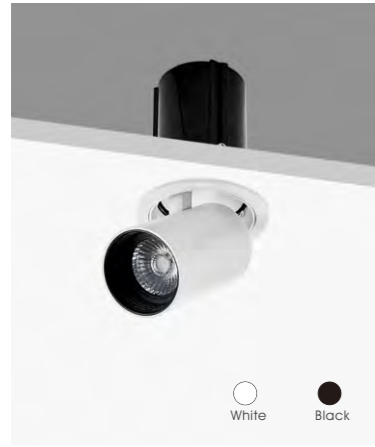
High-power LED
SDCM<3



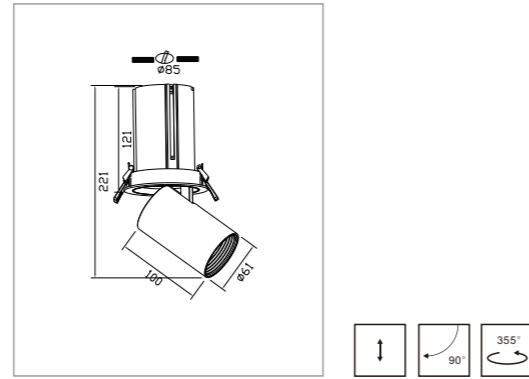
IP20



Anti-Glare

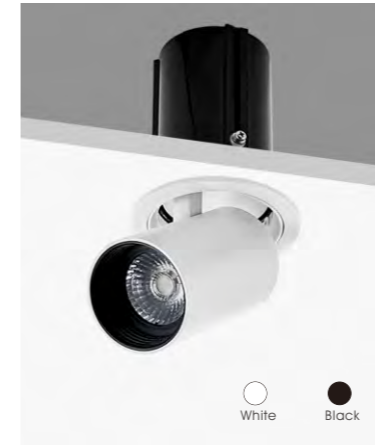


EM-DF002

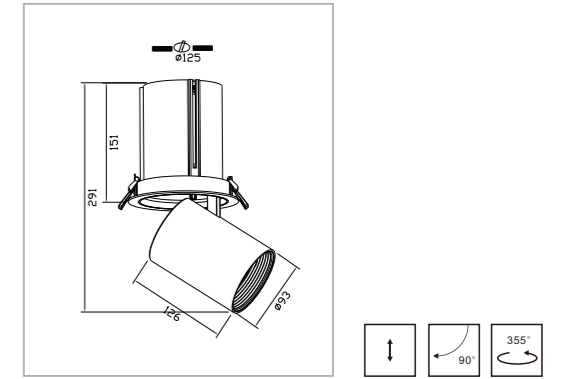


2700K / 3000K / 3500K / 4000K / 5000K

Power	Vf	Current	Lumens	Beam Angle	Voltage	IP	Installation
COB 12W	36V	300mA	1056lm	15°	AC 220V	20	Embedded
COB 12W	36V	300mA	1080lm	24°	AC 220V	20	Embedded
COB 12W	36V	300mA	1140lm	36°	AC 220V	20	Embedded
COB 12W	36V	300mA	1160lm	60°	AC 220V	20	Embedded

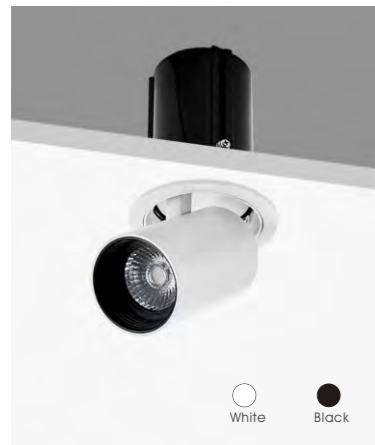


EM-DF004

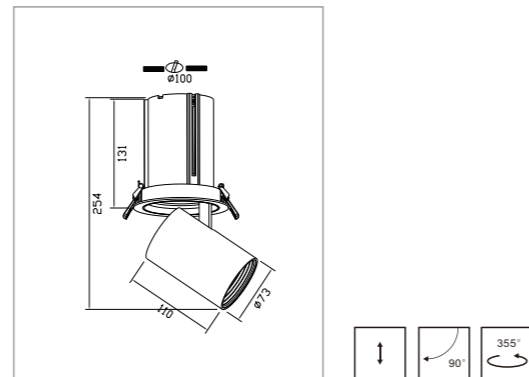


2700K / 3000K / 3500K / 4000K / 5000K

Power	Vf	Current	Lumens	Beam Angle	Voltage	IP	Installation
COB 30W	36V	700mA	2550lm	15°	AC 220V	20	Embedded
COB 30W	36V	700mA	2700lm	24°	AC 220V	20	Embedded
COB 30W	36V	700mA	2850lm	36°	AC 220V	20	Embedded
COB 30W	36V	700mA	2880lm	60°	AC 220V	20	Embedded

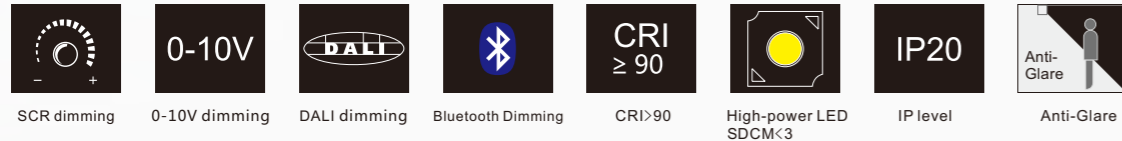
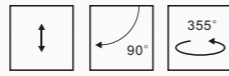


EM-DF003

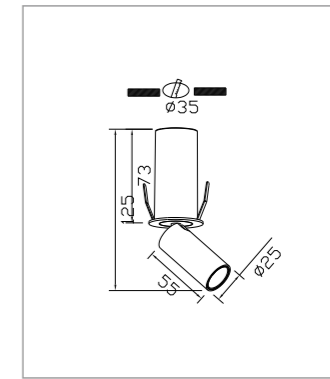


2700K / 3000K / 3500K / 4000K / 5000K

Power	Vf	Current	Lumens	Beam Angle	Voltage	IP	Installation
COB 20W	36V	500mA	1700lm	15°	AC 220V	20	Embedded
COB 20W	36V	500mA	1800lm	24°	AC 220V	20	Embedded
COB 20W	36V	500mA	1900lm	36°	AC 220V	20	Embedded
COB 20W	36V	500mA	1920lm	60°	AC 220V	20	Embedded



EM-DF005



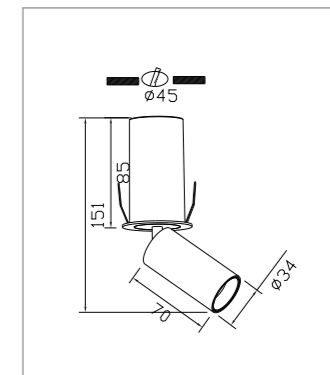
PHILIPS CITIZEN CREE

2700K / 3000K / 3500K / 4000K / 5000K

Power	Vf	Current	Lumens	Beam Angle	Voltage	IP	Installation
COB 4W	36V	100mA	240lm	15°	AC 220V	20	Embedded
COB 4W	36V	100mA	280lm	24°	AC 220V	20	Embedded
COB 4W	36V	100mA	300lm	36°	AC 220V	20	Embedded



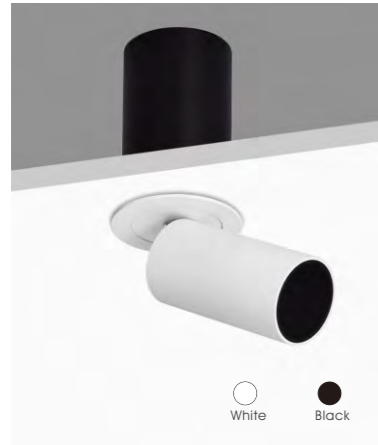
EM-DF006



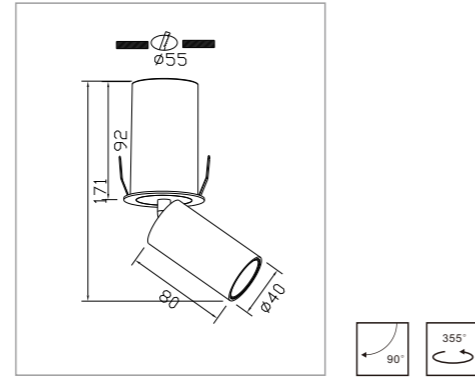
PHILIPS CITIZEN CREE

2700K / 3000K / 3500K / 4000K / 5000K

Power	Vf	Current	Lumens	Beam Angle	Voltage	IP	Installation
COB 6W	36V	150mA	300lm	15°	AC 220V	20	Embedded
COB 6W	36V	150mA	320lm	24°	AC 220V	20	Embedded
COB 6W	36V	150mA	340lm	36°	AC 220V	20	Embedded
COB 6W	36V	150mA	360lm	60°	AC 220V	20	Embedded

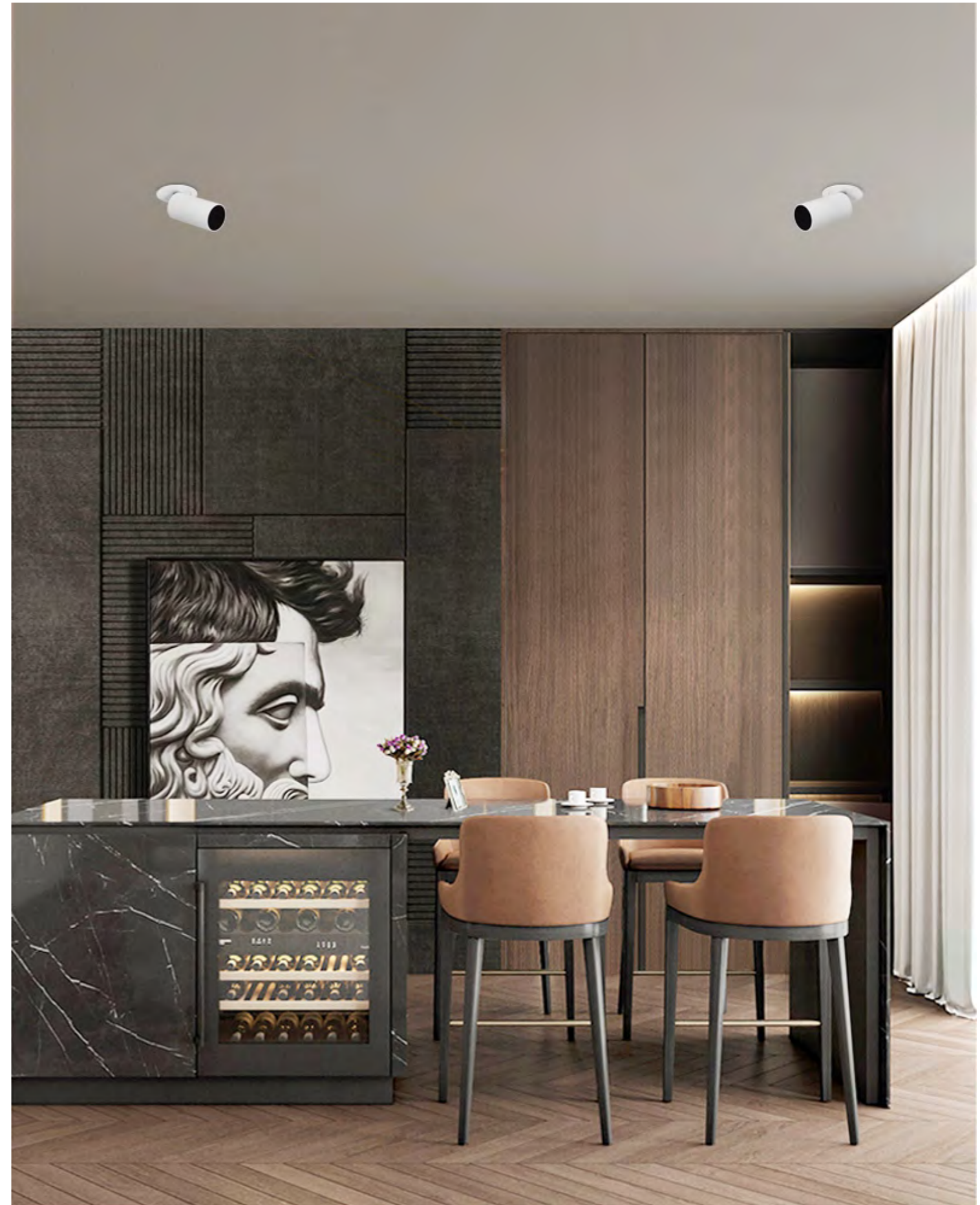


EM-DF007



PHILIPS CITIZEN CREE
2700K / 3000K / 3500K / 4000K / 5000K

Power	Vf	Current	Lumens	Beam Angle	Voltage	IP	Installation
COB 8W	36V	200mA	440lm	15°	AC 220V	20	Embedded
COB 8W	36V	200mA	480lm	24°	AC 220V	20	Embedded
COB 8W	36V	200mA	560lm	36°	AC 220V	20	Embedded
COB 8W	36V	200mA	580lm	60°	AC 220V	20	Embedded

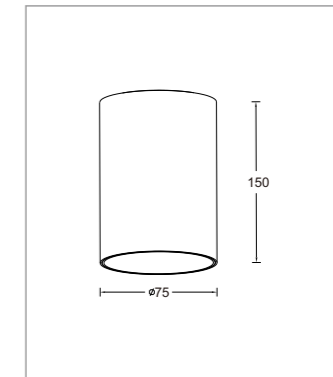




EM-DH101



○ White
● Black



PHILIPS CITIZEN CREE

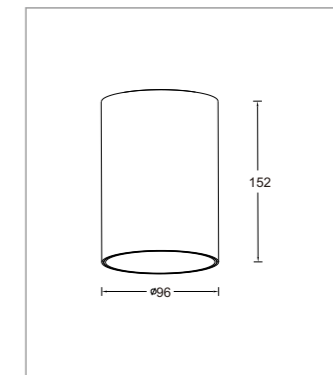
2700K / 3000K / 3500K / 4000K / 5000K

Power	Vf	Current	Lumens	Beam Angle	Voltage	IP	Installation
COB 12W	36V	300mA	1056lm	15°	AC 220V	20	Embedded
COB 12W	36V	300mA	1080lm	24°	AC 220V	20	Embedded
COB 12W	36V	300mA	1140lm	36°	AC 220V	20	Embedded
COB 12W	36V	300mA	1160lm	60°	AC 220V	20	Embedded

EM-DH102



○ White
● Black



PHILIPS CITIZEN CREE

2700K / 3000K / 3500K / 4000K / 5000K

Power	Vf	Current	Lumens	Beam Angle	Voltage	IP	Installation
COB 20W	36V	500mA	1700lm	15°	AC 220V	20	Embedded
COB 20W	36V	500mA	1800lm	24°	AC 220V	20	Embedded
COB 20W	36V	500mA	1900lm	36°	AC 220V	20	Embedded
COB 20W	36V	500mA	1920lm	60°	AC 220V	20	Embedded



SCR dimming



0-10V dimming



CRI > 90



High-power LED
SDCM < 3



IP level

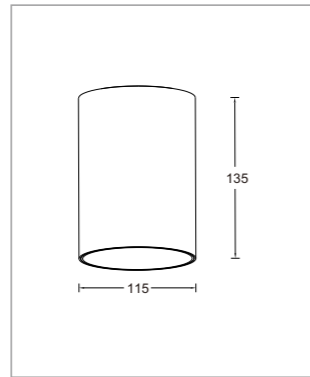


Anti-Glare

EM-DH103



White Black



PHILIPS LUMINUS CITIZEN CREE bridgelux

2700K / 3000K / 3500K / 4000K / 5000K

Power _____

COB 30W

Vf _____

36V

Current _____

700mA

Lumens _____

2640lm

Beam Angle _____

15°/24° /36° /60°

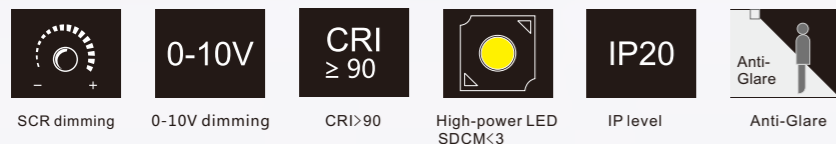
Voltage _____

220V

Installation _____

Ceiling type





SCR dimming

0-10V

0-10V dimming

CRI ≥ 90

CRI > 90



High-power LED
SDCM < 3

IP20

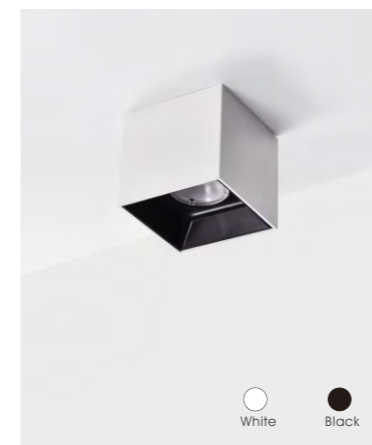
IP level



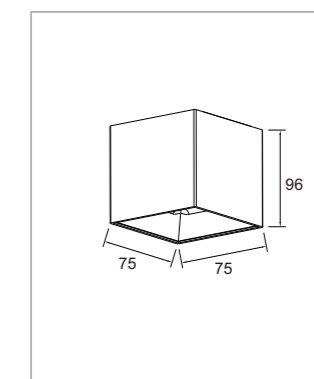
Anti-Glare

Anti-Glare

EM-DH104S



White Black



Reflector



Dark Chrome Matt White

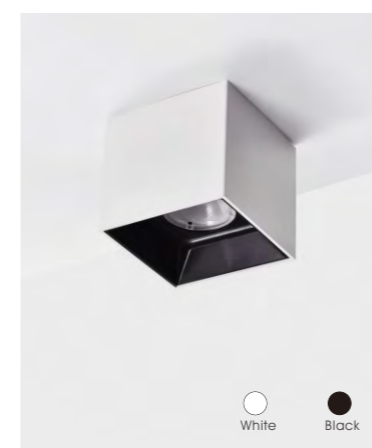


PHILIPS CITIZEN CREE

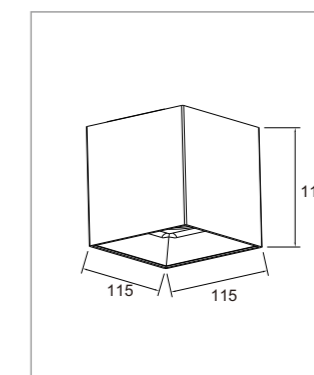
2700K / 3000K / 3500K / 4000K / 5000K

Power	Vf	Current	Lumens	Beam Angle	Voltage	IP	Installation
COB 12W	36V	300mA	1056lm	15°	AC 220V	20	Ceiling type
COB 12W	36V	300mA	1080lm	24°	AC 220V	20	Ceiling type
COB 12W	36V	300mA	1140lm	36°	AC 220V	20	Ceiling type
COB 12W	36V	300mA	1160lm	60°	AC 220V	20	Ceiling type

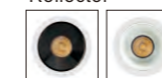
EM-DH105S



White Black



Reflector



Dark Chrome Matt White



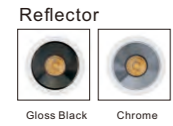
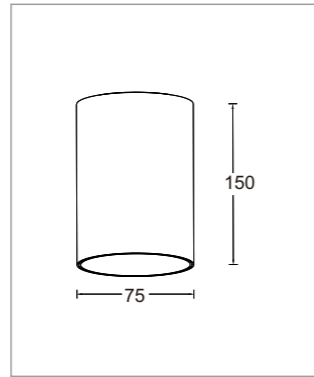
PHILIPS CITIZEN CREE

2700K / 3000K / 3500K / 4000K / 5000K

Power	Vf	Current	Lumens	Beam Angle	Voltage	IP	Installation
COB 20W	36V	500mA	1700lm	15°	AC 220V	20	Ceiling type
COB 20W	36V	500mA	1800lm	24°	AC 220V	20	Ceiling type
COB 20W	36V	500mA	1900lm	36°	AC 220V	20	Ceiling type
COB 20W	36V	500mA	1920lm	60°	AC 220V	20	Ceiling type



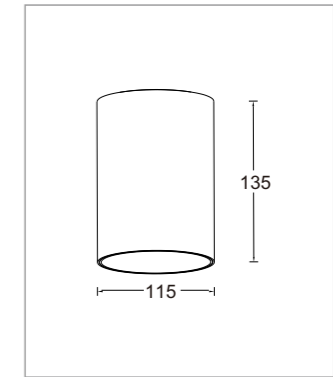
EM-DH104



Power	Vf	Current	Lumens	Beam Angle	Voltage	IP	Installation
COB 12W	36V	300mA	1160lm	60°	AC 220V	20	Ceiling type



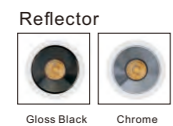
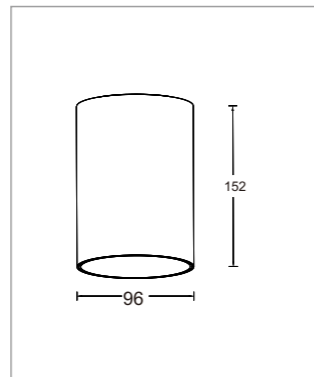
EM-DH106



Power	Vf	Current	Lumens	Beam Angle	Voltage	IP	Installation
COB 30W	36V	700mA	2880lm	60°	AC 220V	20	Ceiling type

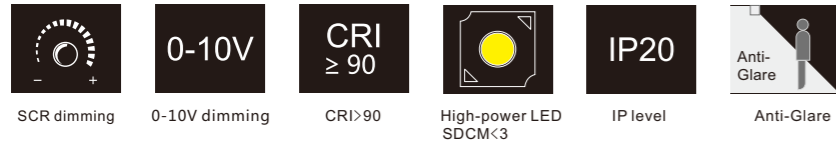


EM-DH105

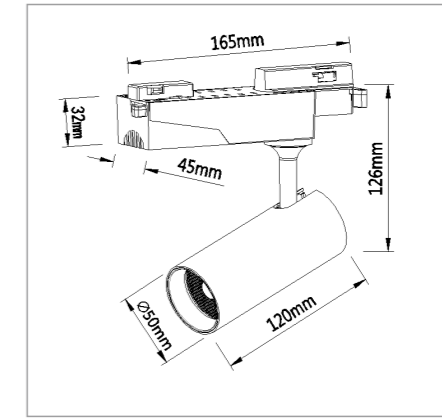


Power	Vf	Current	Lumens	Beam Angle	Voltage	IP	Installation
COB 20W	36V	500mA	1920lm	60°	AC 220V	20	Ceiling type





EM-T001



White Black



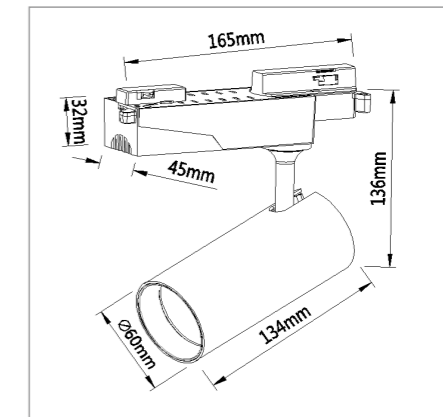
PHILIPS CITIZEN CREE

2700K / 3000K / 3500K / 4000K / 5000K

Power	Vf	Current	Lumens	Beam Angle	Voltage	IP	Installation
COB 12W	36V	300mA	1056lm	15°	AC 220V	20	Ceiling type
COB 12W	36V	300mA	1080lm	24°	AC 220V	20	Ceiling type
COB 12W	36V	300mA	1140lm	36°	AC 220V	20	Ceiling type
COB 12W	36V	300mA	1160lm	60°	AC 220V	20	Ceiling type



EM-T002



Nickel White Black



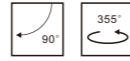
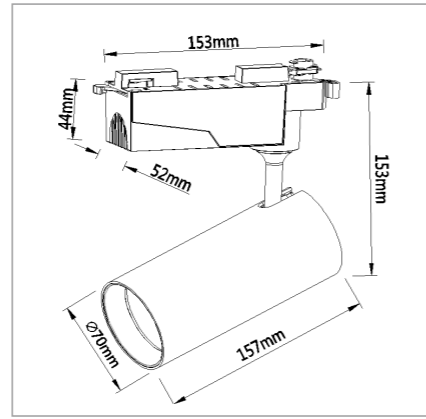
PHILIPS CITIZEN CREE

2700K / 3000K / 3500K / 4000K / 5000K

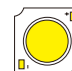
Power	Vf	Current	Lumens	Beam Angle	Voltage	IP	Installation
COB 20W	36V	500mA	1700lm	15°	AC 220V	20	Embedded
COB 20W	36V	500mA	1800lm	24°	AC 220V	20	Embedded
COB 20W	36V	500mA	1900lm	36°	AC 220V	20	Embedded
COB 20W	36V	500mA	1920lm	60°	AC 220V	20	Embedded



EM-T003



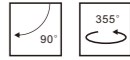
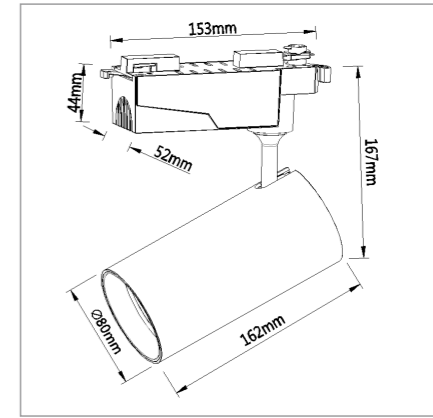
White Black

 PHILIPS CITIZEN CREE
2700K / 3000K / 3500K / 4000K / 5000K

Power	Vf	Current	Lumens	Beam Angle	Voltage	IP	Installation
COB 30W	36V	700mA	2550lm	15°	AC 220V	20	Embedded
COB 30W	36V	700mA	2700lm	24°	AC 220V	20	Embedded
COB 30W	36V	700mA	2850lm	36°	AC 220V	20	Embedded
COB 30W	36V	700mA	2880lm	60°	AC 220V	20	Embedded



EM-T004



White Black

 PHILIPS CITIZEN CREE
2700K / 3000K / 3500K / 4000K / 5000K

Power	Vf	Current	Lumens	Beam Angle	Voltage	IP	Installation
COB 35W	36V	800mA	2970lm	15°	AC 220V	20	Embedded
COB 35W	36V	800mA	3080lm	24°	AC 220V	20	Embedded
COB 35W	36V	800mA	3150lm	36°	AC 220V	20	Embedded
COB 35W	36V	800mA	3180lm	60°	AC 220V	20	Embedded



EM-T005



White Black

 PHILIPS CITIZEN CREE
2700K / 3000K / 3500K / 4000K / 5000K

Power	Vf	Current	Lumens	Beam Angle	Voltage	IP	Installation
COB 35W	36V	800mA	2950lm	15°	AC 220V	20	Embedded
COB 35W	36V	800mA	3150lm	24°	AC 220V	20	Embedded
COB 35W	36V	800mA	3300lm	36°	AC 220V	20	Embedded
COB 35W	36V	800mA	3320lm	60°	AC 220V	20	Embedded



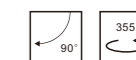
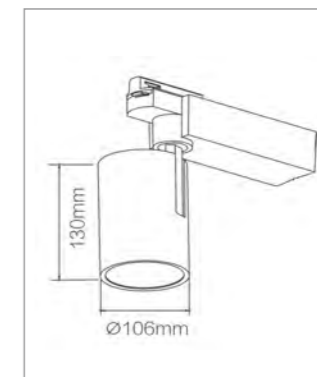
Research on lighting and target market of clothing store

EMMA LIGHTING



EM-T006

White Black



PHILIPS CITIZEN CREE

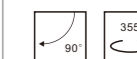
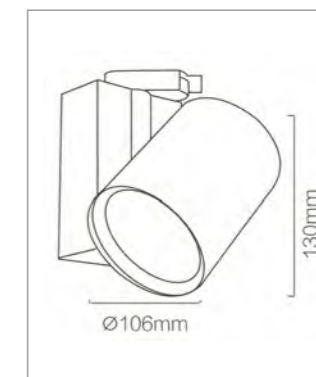
2700K / 3000K / 3500K / 4000K / 5000K

Power	Vf	Current	Lumens	Beam Angle	Voltage	IP	Installation
COB 50W	36V	1300mA	4250lm	15°	AC 220V	20	Embedded
COB 50W	36V	1300mA	4400lm	24°	AC 220V	20	Embedded
COB 50W	36V	1300mA	4450lm	36°	AC 220V	20	Embedded
COB 50W	36V	1300mA	4320lm	60°	AC 220V	20	Embedded



EM-T007

White Black


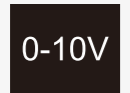


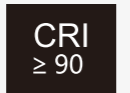

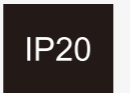



PHILIPS CITIZEN CREE

2700K / 3000K / 3500K / 4000K / 5000K

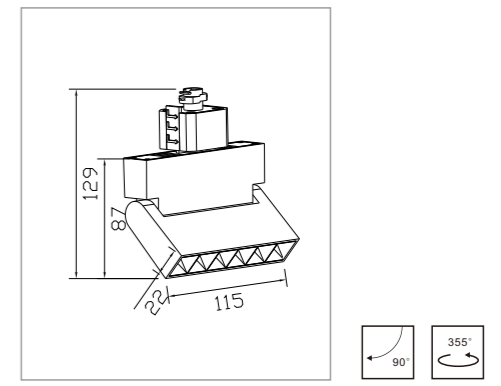
Power	Vf	Current	Lumens	Beam Angle	Voltage	IP	Installation
COB 50W	36V	1300mA	4250lm	15°	AC 220V	20	Embedded
COB 50W	36V	1300mA	4400lm	24°	AC 220V	20	Embedded
COB 50W	36V	1300mA	4450lm	36°	AC 220V	20	Embedded
COB 50W	36V	1300mA	4320lm	60°	AC 220V	20	Embedded



-  SCR dimming
-  0-10V dimming
-  DALI dimming
-  Bluetooth Dimming
-  CRI ≥ 90
-  High-power LED SDCM < 3
-  IP20
-  Anti-Glare



EM-T008

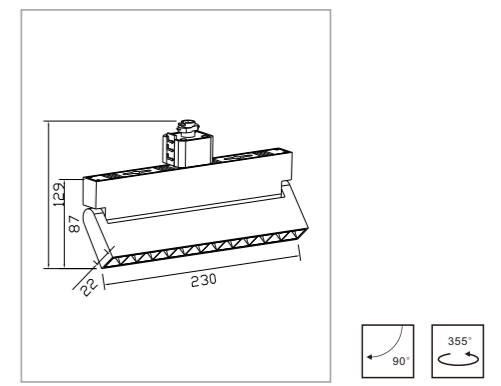


 **PHILIPS LUMINUS** CITIZEN **CREE** 
 2700K / 3000K / 3500K / 4000K / 5000K

Power	Vf	Current	Lumens	Beam Angle	Voltage	IP	Installation
COB 8W	36V	200mA	480lm	15°	AC 220V	20	Embedded
COB 8W	36V	200mA	510lm	24°	AC 220V	20	Embedded
COB 8W	36V	200mA	530lm	36°	AC 220V	20	Embedded



EM-T009



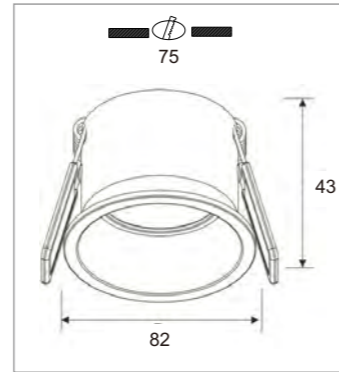
 **PHILIPS LUMINUS** CITIZEN **CREE** 
 2700K / 3000K / 3500K / 4000K / 5000K

Power	Vf	Current	Lumens	Beam Angle	Voltage	IP	Installation
COB 15W	36V	350mA	900lm	15°	AC 220V	20	Embedded
COB 15W	36V	350mA	920lm	24°	AC 220V	20	Embedded
COB 15W	36V	350mA	940lm	36°	AC 220V	20	Embedded



EM-DD001

○ White
● Black



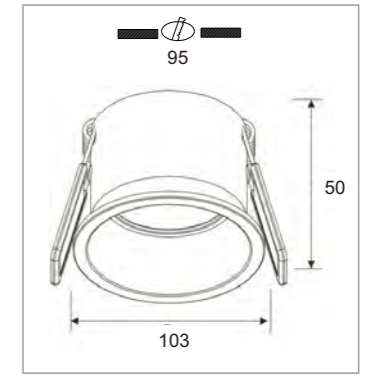
SAMSUNG 2700K / 3000K / 3500K / 4000K / 5000K

Power	Vf	Current	Lumens	Beam Angle	Voltage	IP	Installation
SMD 9W	30V	250mA	880lm	60°	AC 220V	20	Embedded



EM-DD003

○ White
● Black



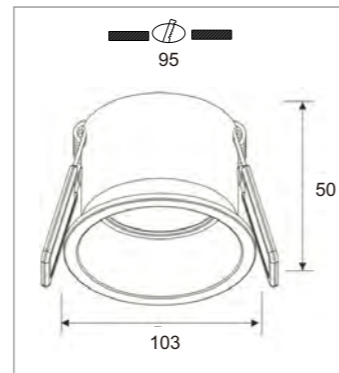
SAMSUNG 2700K / 3000K / 3500K / 4000K / 5000K

Power	Vf	Current	Lumens	Beam Angle	Voltage	IP	Installation
SMD 18W	30V	500mA	1746lm	60°	AC 220V	20	Embedded



EM-DD002

○ White
● Black



SAMSUNG 2700K / 3000K / 3500K / 4000K / 5000K

Power	Vf	Current	Lumens	Beam Angle	Voltage	IP	Installation
SMD 12W	30V	350mA	1164lm	60°	AC 220V	20	Embedded

